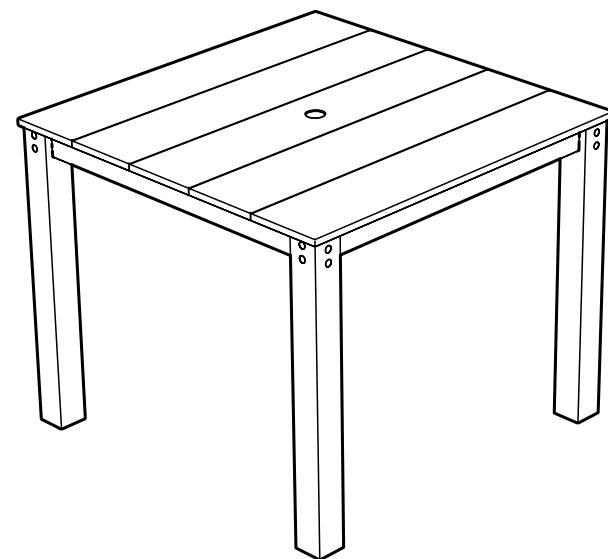




Assembly Instructions



TXDT3838-T15

Parsons 38" Square Dining Table

..... 20-Year Warranty

To view our full warranty, please visit
trexfurniture.com/warranty

..... Share your space

We love to see where our furniture ends up — snap a pic and share it with us on Facebook!
facebook.com/trexfurniture

..... Having Trouble?

If you have questions or concerns regarding assembly instructions or missing parts, please contact us at **(877) 907-TREX (8739)** or email support@trexfurniture.com

..... Cleaning Tips

Keep your Trex Outdoor Furniture™ looking brand new:

For a quick clean:

Simply wipe down with soap and water.

For a deeper clean:

You'll need:

- » 1/3 bleach and 2/3 water solution
- » clean cloth
- » soft bristle brush

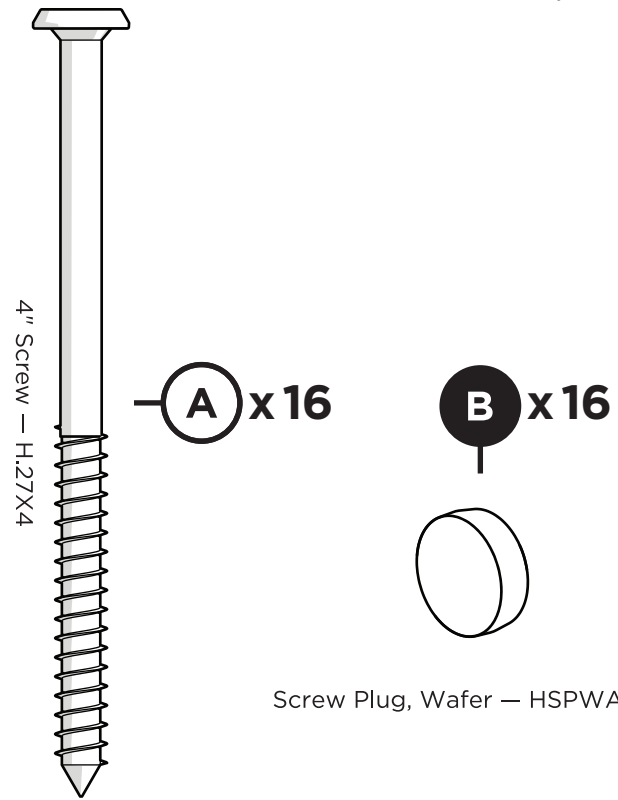
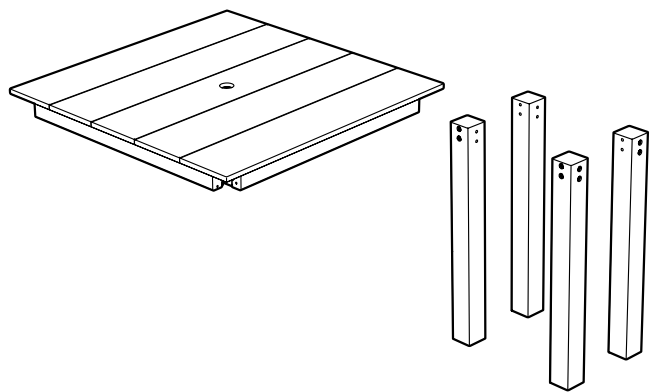
Wipe on solution with your cloth and let it sit on the lumber for a few minutes (this will not affect the color). Then, loosen any dirt and debris that may catch in surface grooves with a soft bristle brush; hose down to rinse.

TOOLS



4mm T-handle hex key (included) 4mm hex for drill (included) Phillips Screwdriver (Screw Gun Recommended) (Not Included)

PARTS



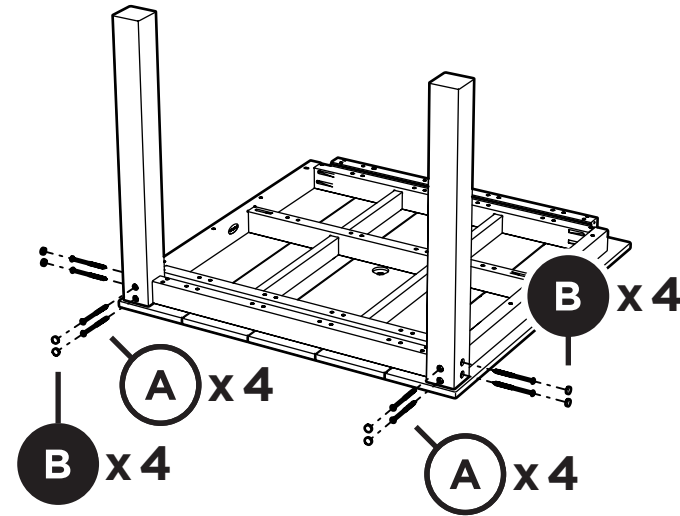
4" Screw — H.27X4

A x 16

B x 16

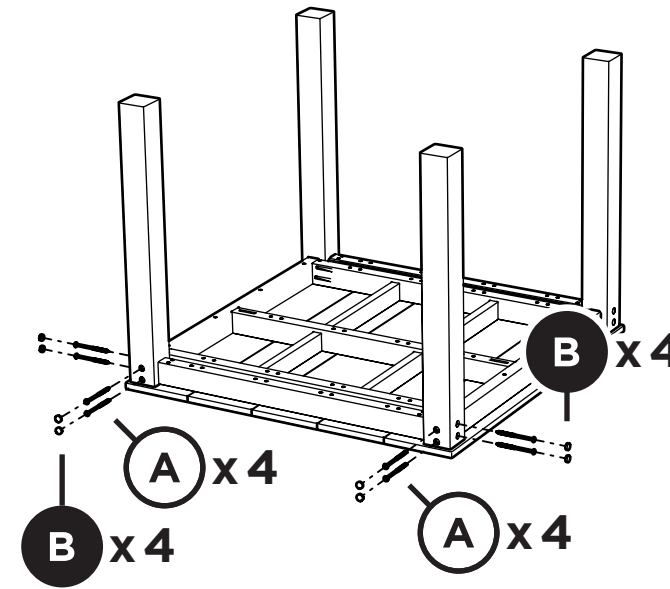
Screw Plug, Wafer — HSPWAFER

1

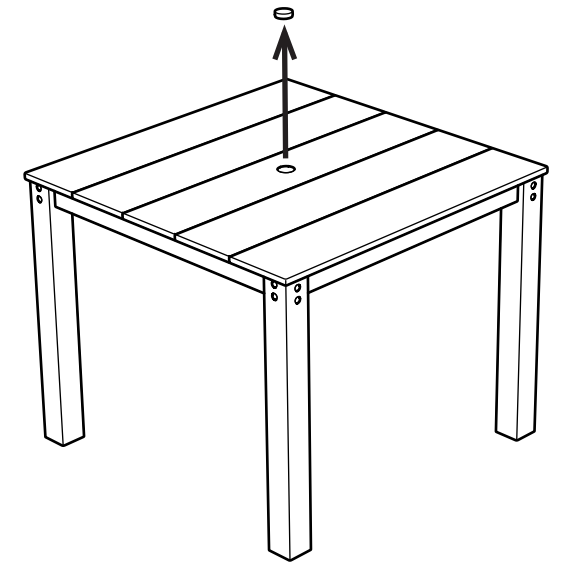


NOTE - Ensure thru holes in legs line up with pilot holes in aprons.

2

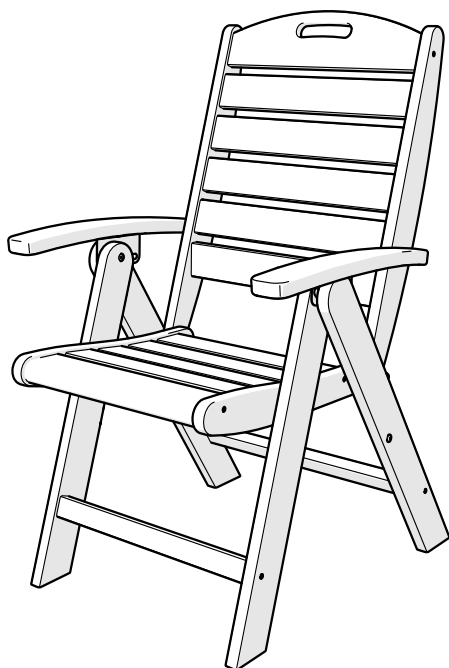


Removeable table plug





Assembly Instructions



1. Unfold chair
2. Remove shipping caps from rear brackets

TXD38

Yacht Club

Highback Chair

trexfurniture.com

09/25/2017

..... 20-Year Warranty

To view our full warranty, please visit trexfurniture.com/warranty

..... Having Trouble?

If you have questions or concerns regarding assembly instructions or missing parts, please contact us at (877) 907-TREX (8739) or email support@trexfurniture.com

..... Share your space

We love to see where our furniture ends up — snap a pic and share it with us on Facebook!
facebook.com/trexfurniture

..... Cleaning Tips

Keep your Trex Outdoor Furniture looking brand new:

For a quick clean:

Simply wipe down with soap and water.

For a deeper clean:

You'll need:

- » 1/3 bleach and 2/3 water solution
- » clean cloth
- » soft bristle brush

Wipe on solution with your cloth and let it sit on the lumber for a few minutes (this will not affect the color). Then, loosen any dirt and debris that may catch in surface grooves with a soft bristle brush; hose down to rinse.