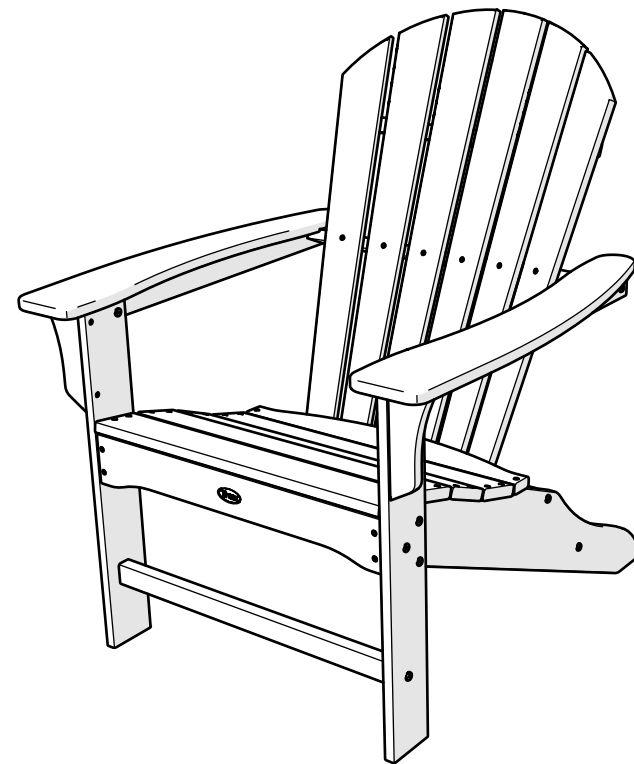




## Assembly Instructions



# TXA15

## Yacht Club Shellback Adirondack Chair

### ..... **20-Year Warranty** .....

To view our full warranty, please visit  
[trexfurniture.com/warranty](http://trexfurniture.com/warranty)

### ..... **Share your space** .....

We love to see where our furniture  
ends up — snap a pic and share  
it with us on Facebook!  
[facebook.com/trexfurniture](https://www.facebook.com/trexfurniture)

### ..... **Having Trouble?** .....

If you have questions or concerns regarding  
assembly instructions or missing parts,  
please contact us at (877) 907-TREX (8739)  
or email [support@trexfurniture.com](mailto:support@trexfurniture.com)

### ..... **Cleaning Tips** .....

Keep your Trex Outdoor Furniture™  
looking brand new:

#### **For a quick clean:**

Simply wipe down with soap and water.

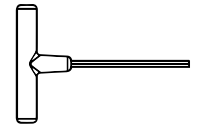
#### **For a deeper clean:**

You'll need:

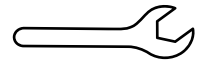
- » 1/3 bleach and 2/3 water solution
- » clean cloth
- » soft bristle brush

Wipe on solution with your cloth  
and let it sit on the lumber for a few  
minutes (this will not affect the color).  
Then, loosen any dirt and debris that  
may catch in surface grooves with a  
soft bristle brush; hose down to rinse.

# TOOLS

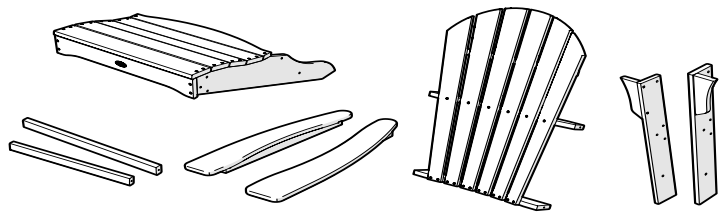


4mm T-handle hex key (included)

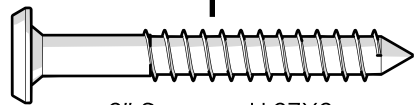


7/16" wrench (not included)

# PARTS

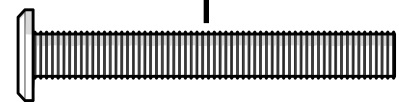


**A** x 8



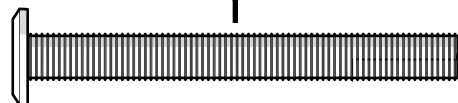
2" Screw — H.27X2

**B** x 6



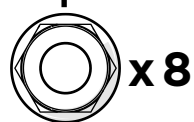
1.875" Bolt — H.25-20X1.875

**C** x 2



2.25" Bolt — H.25-20X2.25

**D**

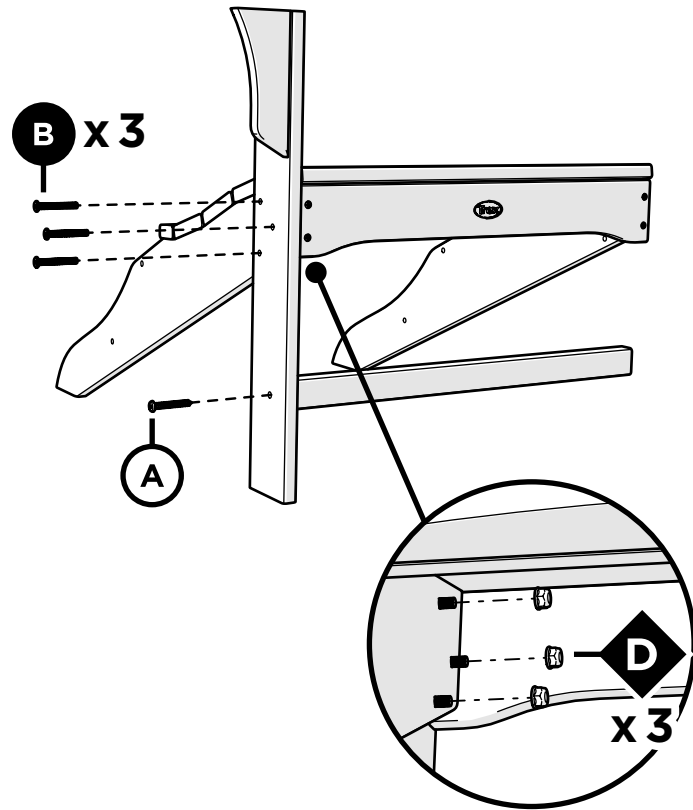


x 8

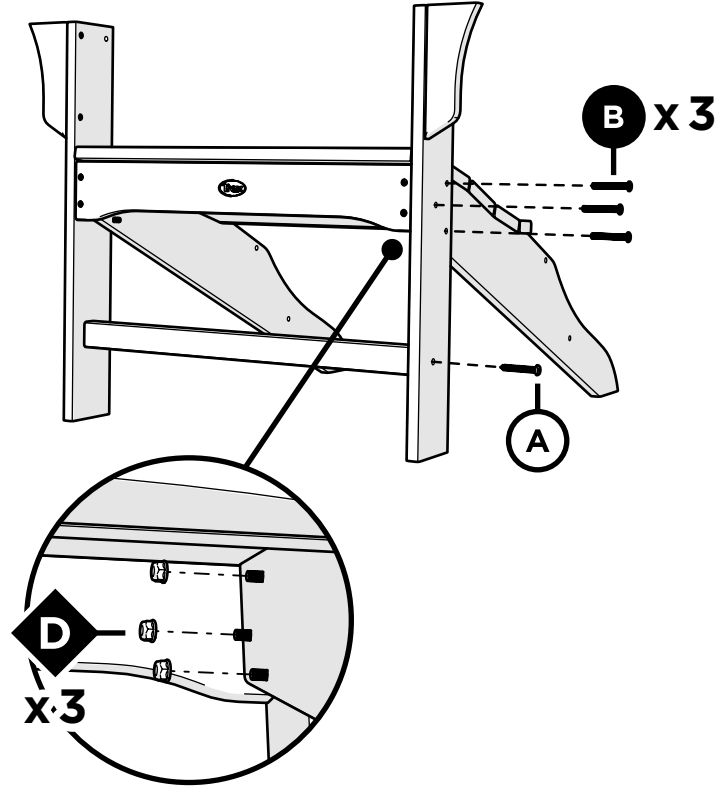
Flange Nylon Lock Nut  
HN.25-20

Something missing?  
Call (833) 665-6300

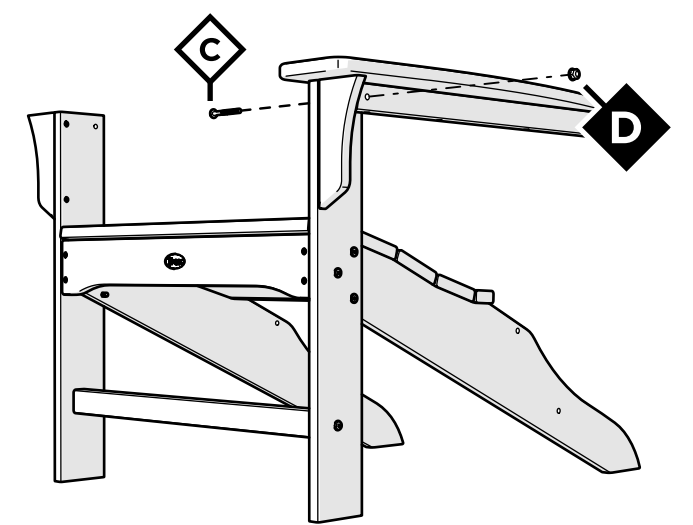
1



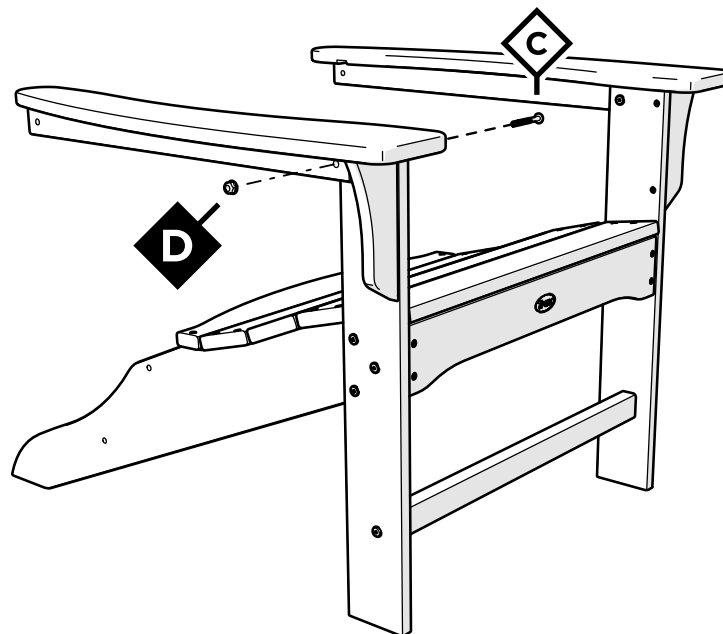
2



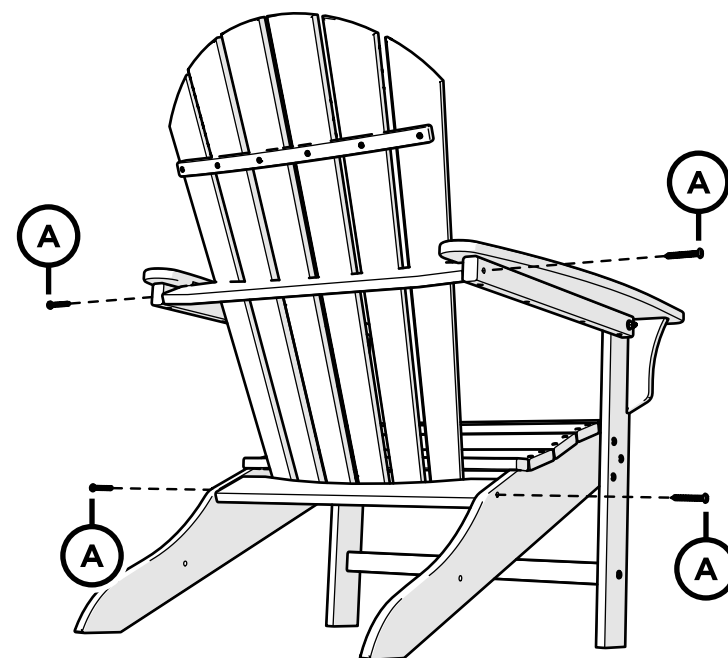
3



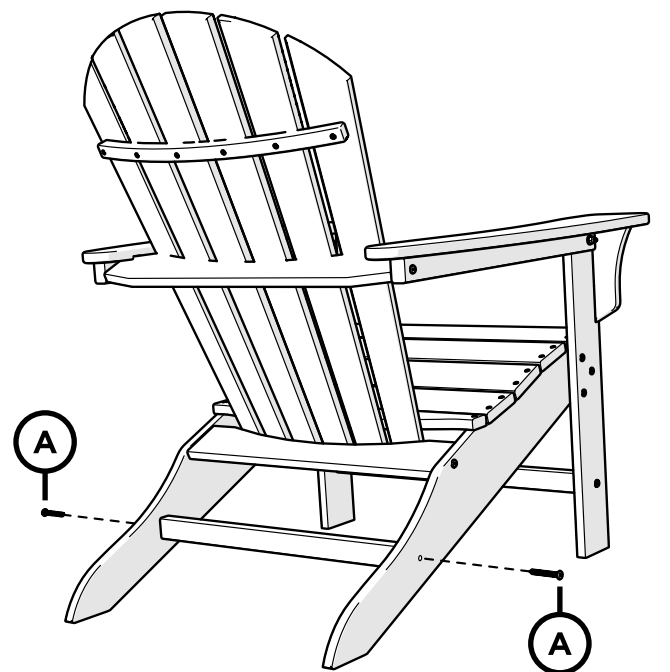
4



5

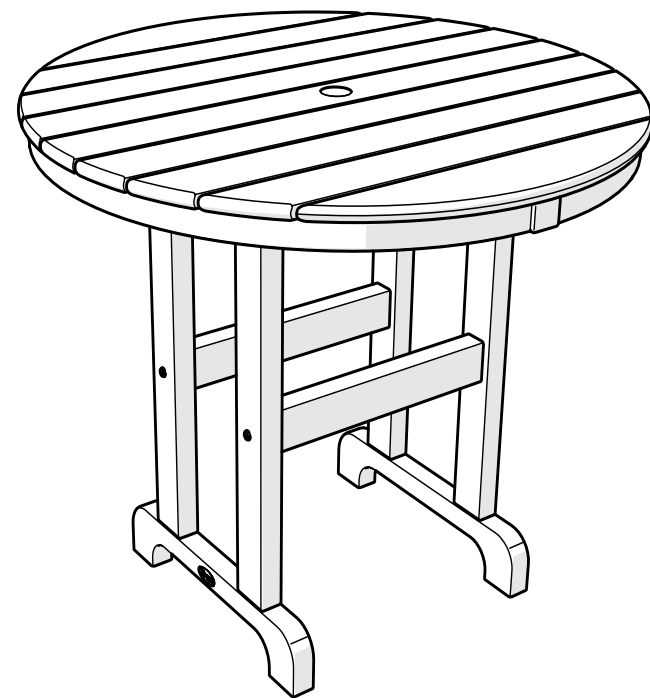


6





## Assembly Instructions



# TXR236

## Monterey Bay Round 36" Dining Table

### ..... 20-Year Warranty .....

To view our full warranty, please visit  
[trexfurniture.com/warranty](http://trexfurniture.com/warranty)

### ..... Share your space .....

We love to see where our furniture  
ends up — snap a pic and share  
it with us on Facebook!  
[facebook.com/trexfurniture](https://www.facebook.com/trexfurniture)

### ..... Having Trouble? .....

If you have questions or concerns regarding  
assembly instructions or missing parts,  
please contact us at (877) 907-TREX (8739)  
or email [support@trexfurniture.com](mailto:support@trexfurniture.com)

### ..... Cleaning Tips .....

Keep your Trex Outdoor Furniture™  
looking brand new:

#### **For a quick clean:**

Simply wipe down with soap and water.

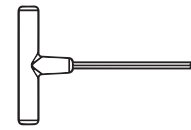
#### **For a deeper clean:**

You'll need:

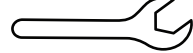
- » 1/3 bleach and 2/3 water solution
- » clean cloth
- » soft bristle brush

Wipe on solution with your cloth  
and let it sit on the lumber for a few  
minutes (this will not affect the color).  
Then, loosen any dirt and debris that  
may catch in surface grooves with a  
soft bristle brush; hose down to rinse.

# TOOLS

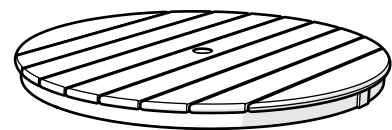


4mm T-handle hex key (included)

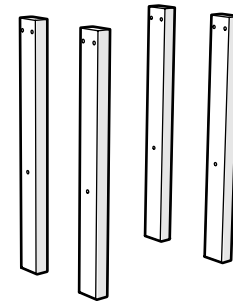
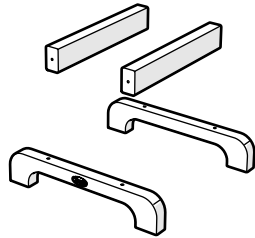


3/8" wrench (not included)

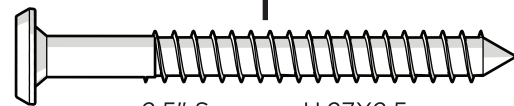
# PARTS



Separate box

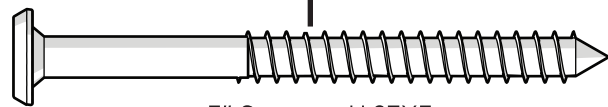


**A** x 4



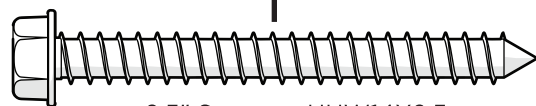
2.5" Screw — H.27X2.5

**B** x 4



3" Screw — H.27X3

**C** x 8



2.5" Screw — HHW14X2.5

