



## Assembly Instructions



# TX4512X

## Yacht Club Deep Seating Loveseat Frame

### ..... 20-Year Warranty .....

To view our full warranty, please visit [trexfurniture.com/warranty](http://trexfurniture.com/warranty)

### ..... Share your space .....

We love to see where our furniture ends up — snap a pic and share it with us on Facebook! [facebook.com/trexfurniture](https://facebook.com/trexfurniture)

### ..... Having Trouble? .....

If you have questions or concerns regarding assembly instructions or missing parts, please contact us at (877) 907-TREX (8739) or email [support@trexfurniture.com](mailto:support@trexfurniture.com)

### ..... Cleaning Tips .....

Keep your Trex Outdoor Furniture™ looking brand new:

#### **For a quick clean:**

Simply wipe down with soap and water.

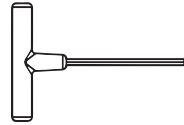
#### **For a deeper clean:**

You'll need:

- » 1/3 bleach and 2/3 water solution
- » clean cloth
- » soft bristle brush

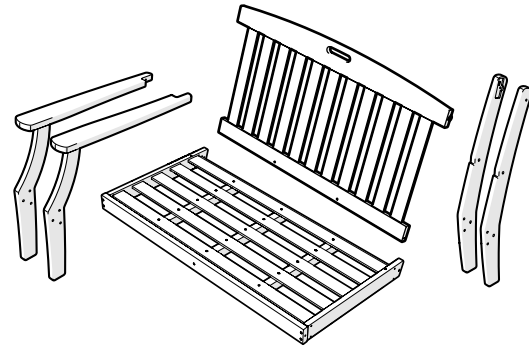
Wipe on solution with your cloth and let it sit on the lumber for a few minutes (this will not affect the color). Then, loosen any dirt and debris that may catch in surface grooves with a soft bristle brush; hose down to rinse.

## TOOLS

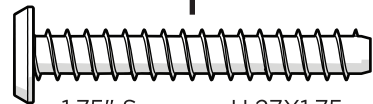


4mm T-handle  
hex key (included)

## PARTS



**A** x10



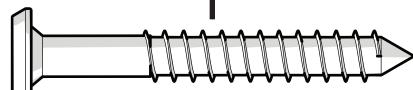
1.75" Screw — H.27X1.75

**B** x2



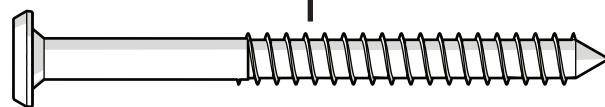
1.5" Bolt — H.25-20X1.5

**C** x3



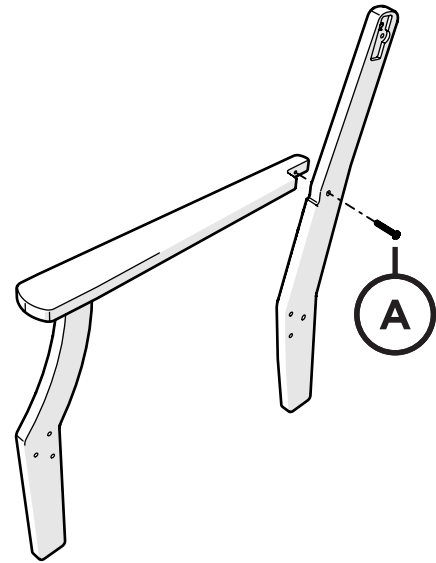
2" Screw — H.27X2

**D** x2



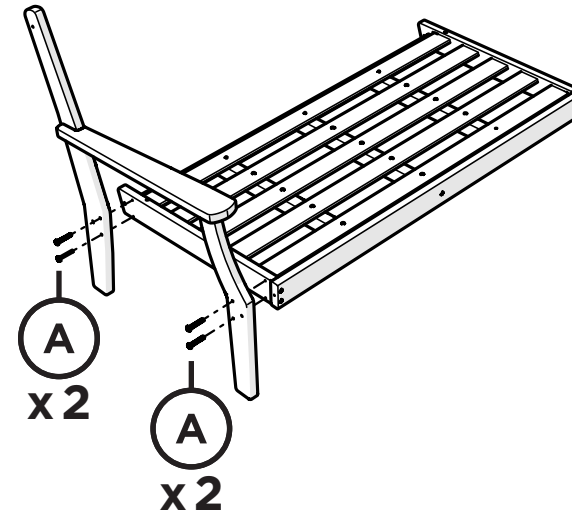
3" Screw — H.27X3

1



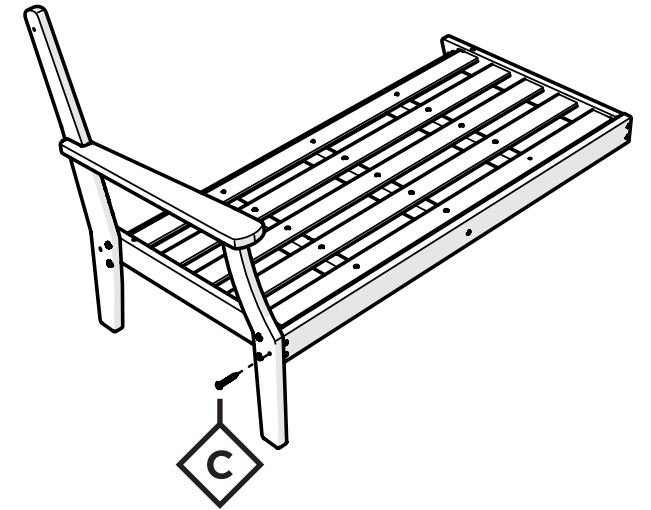
Repeat on opposite side

2



Repeat on opposite side

3



Repeat on opposite side

4

