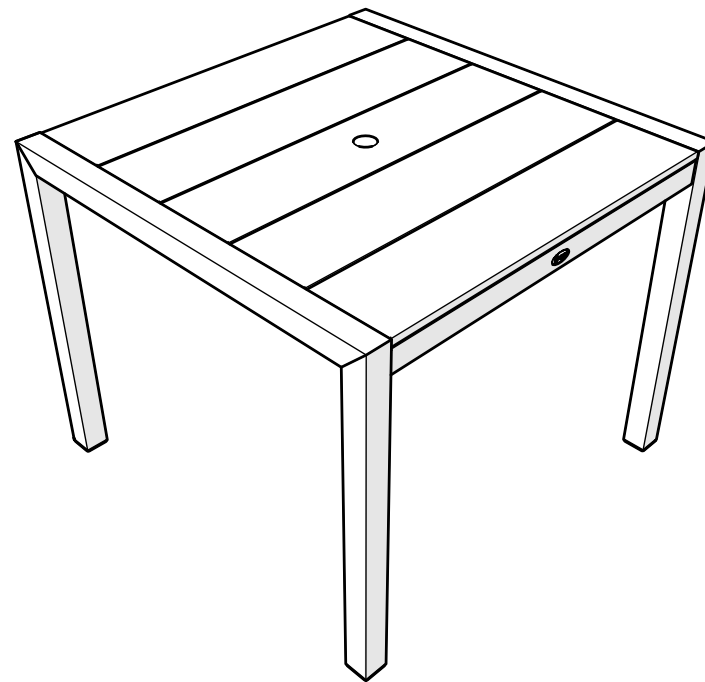




Assembly Instructions



TX8110, TX8111, TX8112

Surf City 36" Table

..... 20-Year Warranty

To view our full warranty, please visit
trexfurniture.com/warranty

..... Share your space

We love to see where our furniture
ends up — snap a pic and share
it with us on Facebook!
facebook.com/trexfurniture

..... Having Trouble?

If you have questions or concerns regarding
assembly instructions or missing parts,
please contact us at **(877) 907-TREX (8739)**
or email support@trexfurniture.com

..... Cleaning Tips

Keep your Trex Outdoor Furniture™
looking brand new:

For a quick clean:

Simply wipe down with soap and water.

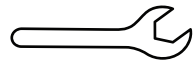
For a deeper clean:

You'll need:

- » 1/3 bleach and 2/3 water solution
- » clean cloth
- » soft bristle brush

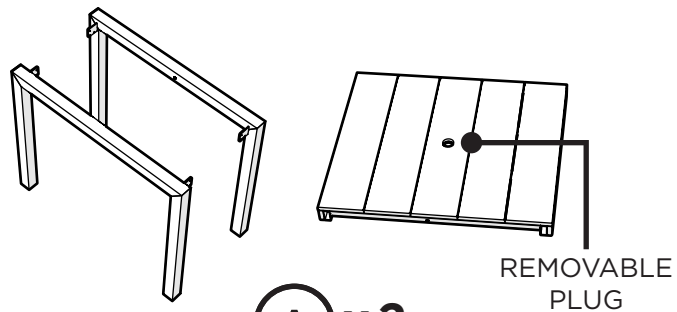
Wipe on solution with your cloth
and let it sit on the lumber for a few
minutes (this will not affect the color).
Then, loosen any dirt and debris that
may catch in surface grooves with a
soft bristle brush; hose down to rinse.

TOOLS



7/16" wrench
(not included)

PARTS



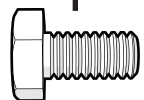
REMOVABLE
PLUG

A x 2



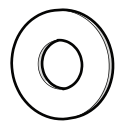
1.75" Bolt — HHC.25-20X1.75

B x 12



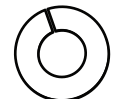
.5" Bolt — HHC.25-20X.5

C x 2



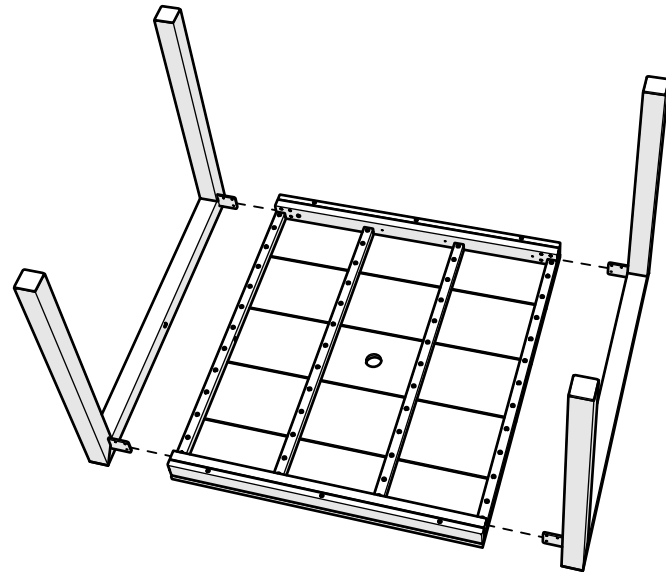
Washer

D x 14

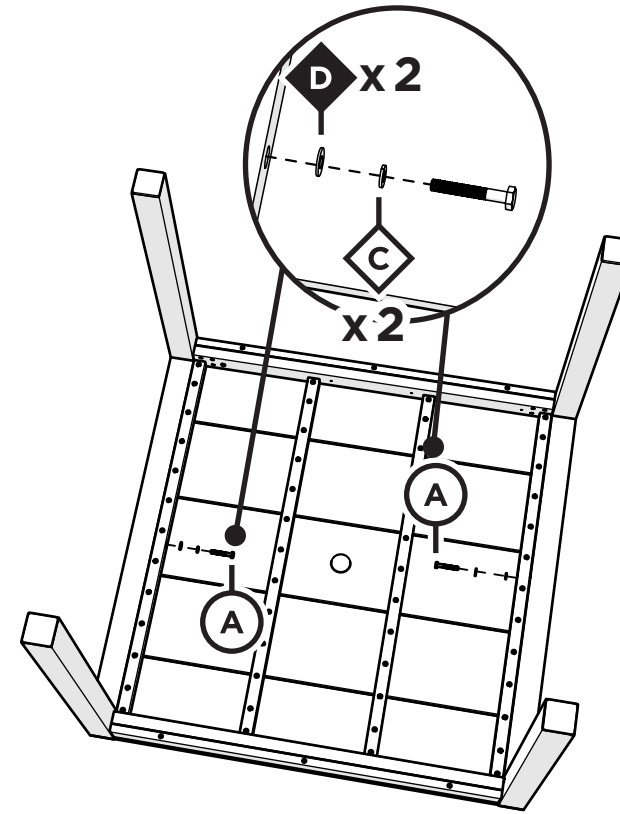


Spring Lock Washer
HW.25SL

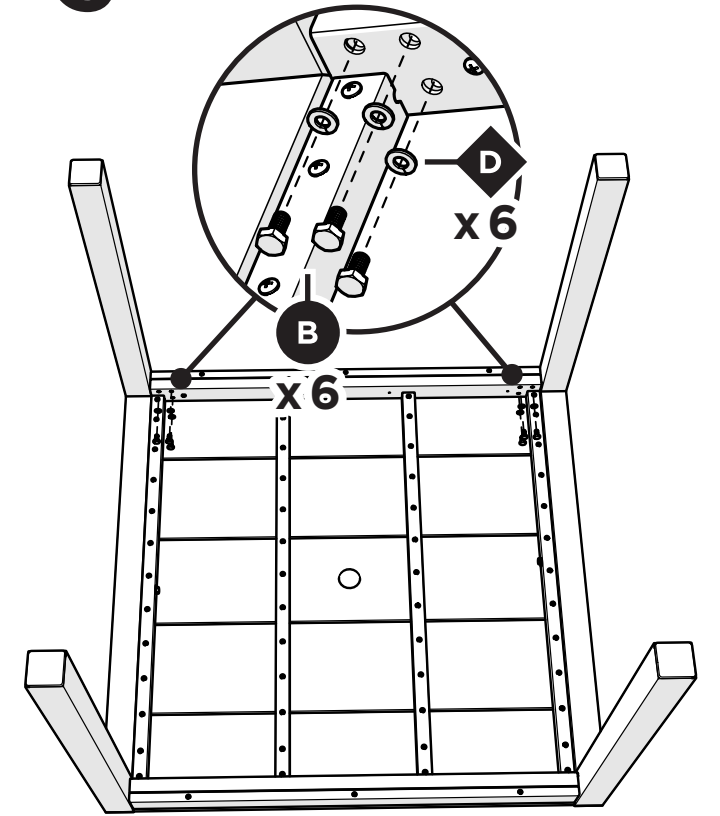
1



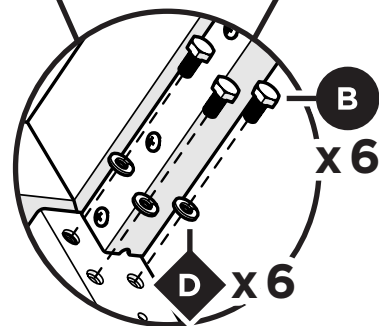
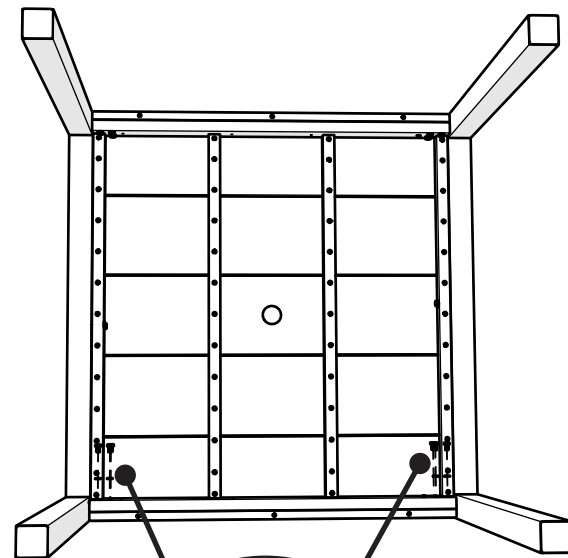
2



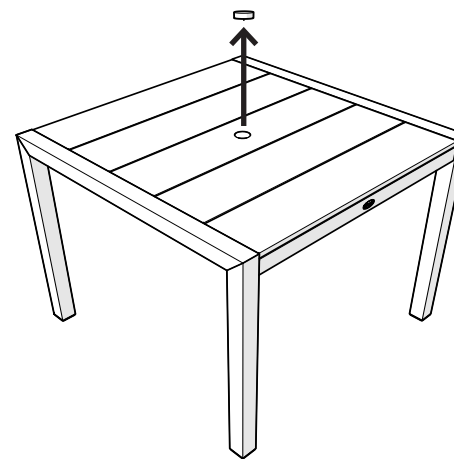
3



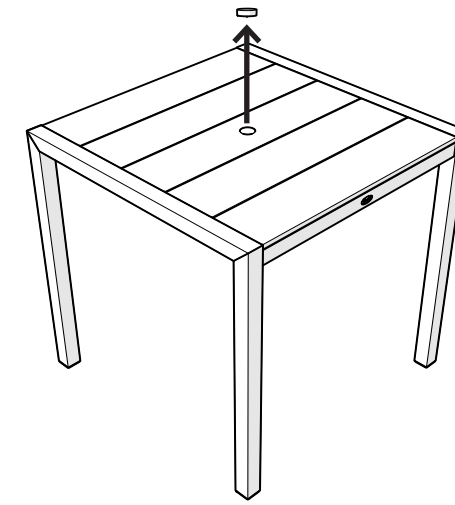
4



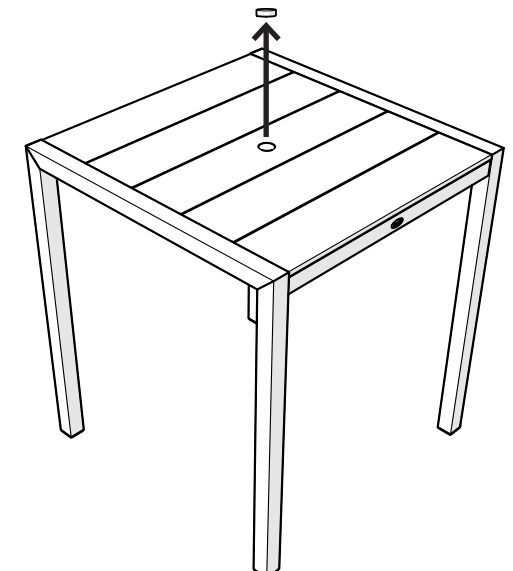
Removable
table plug



TX8110



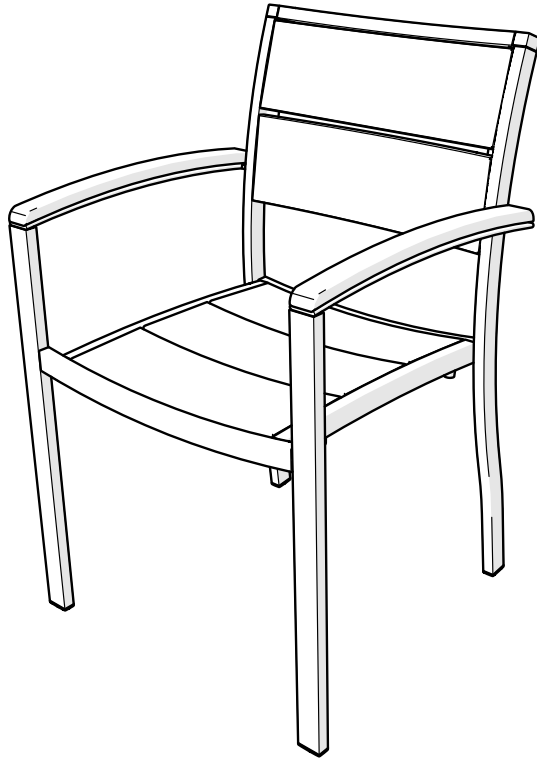
TX8111



TX8112



Assembly Instructions



NO ASSEMBLY REQUIRED

TXA210

Surf City Dining Arm Chair

trefurniture.com

10/27/2023

..... 20-Year Warranty

To view our full warranty, please visit trefurniture.com/warranty

..... Having Trouble?

If you have questions or concerns regarding assembly instructions or missing parts, please contact us at **(877) 907-TREX (8739)** or email support@trefurniture.com

..... Share your space

We love to see where our furniture ends up – snap a pic and share it with us on Facebook! facebook.com/trefurniture

..... Cleaning Tips

Keep your Trex Outdoor Furniture looking brand new:

For a quick clean:

Simply wipe down with soap and water.

For a deeper clean:

You'll need:

- » 1/3 bleach and 2/3 water solution
- » clean cloth
- » soft bristle brush

Wipe on solution with your cloth and let it sit on the lumber for a few minutes (this will not affect the color). Then, loosen any dirt and debris that may catch in surface grooves with a soft bristle brush; hose down to rinse.