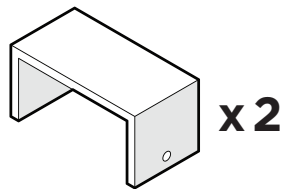
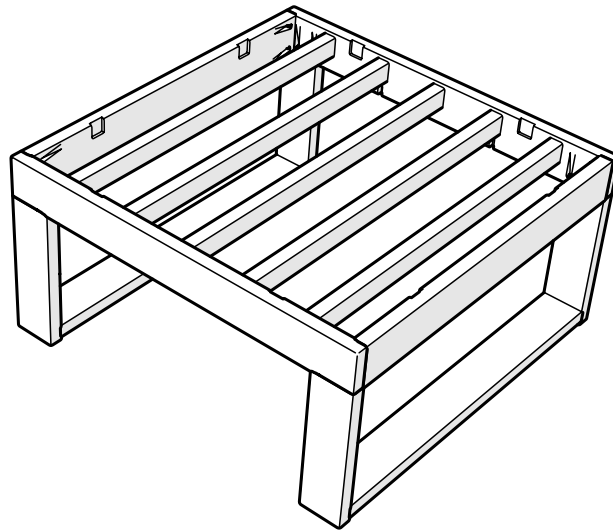


# 4600X

## Modular Ottoman Frame

Assembly Instructions

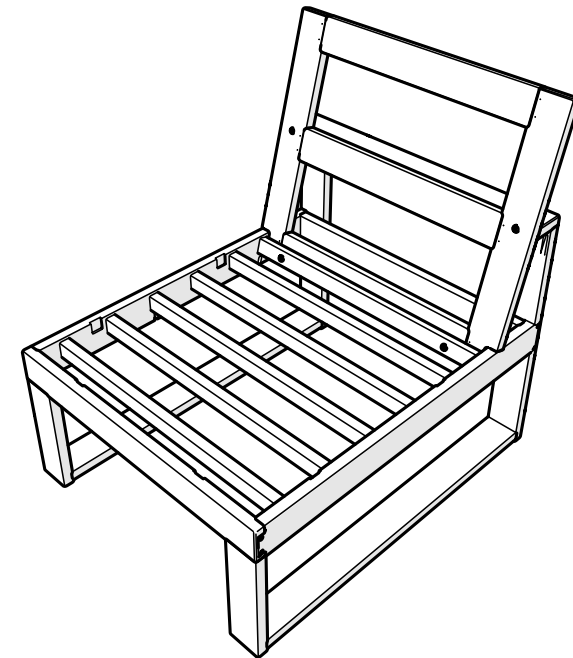


Bracket — P13275-AL

**NO ASSEMBLY REQUIRED**

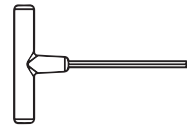
# Modular Armless Chair

Assembly Instructions



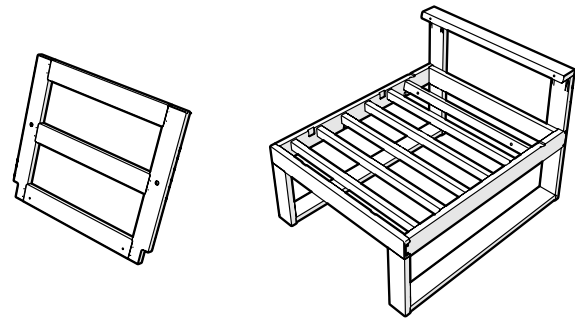
**4601CX**

# TOOLS

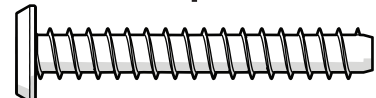


4mm T-handle hex key (included)

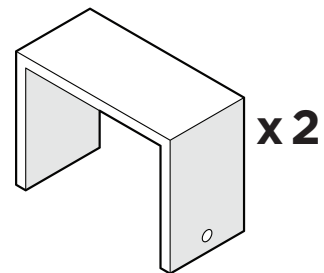
# PARTS



**A** x 4



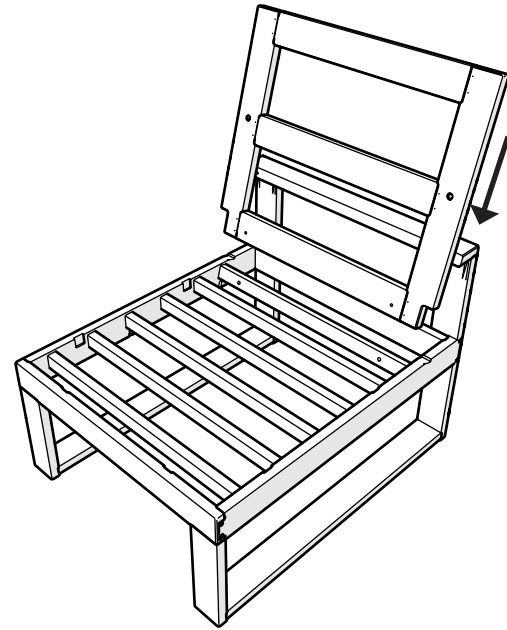
1.75" Screw — H.27X1.75



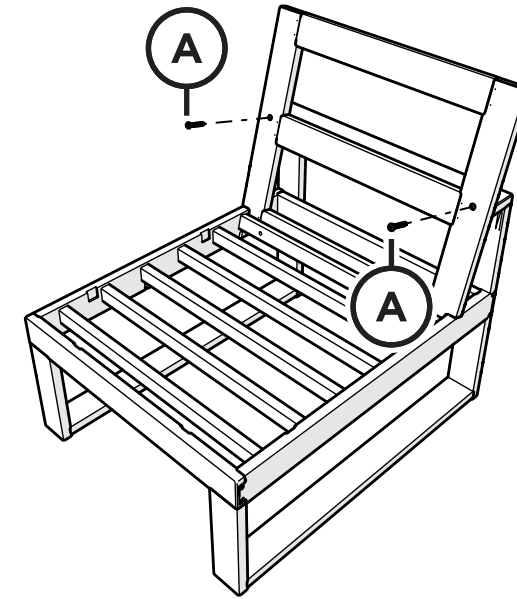
**x 2**

Bracket — P13275-AL

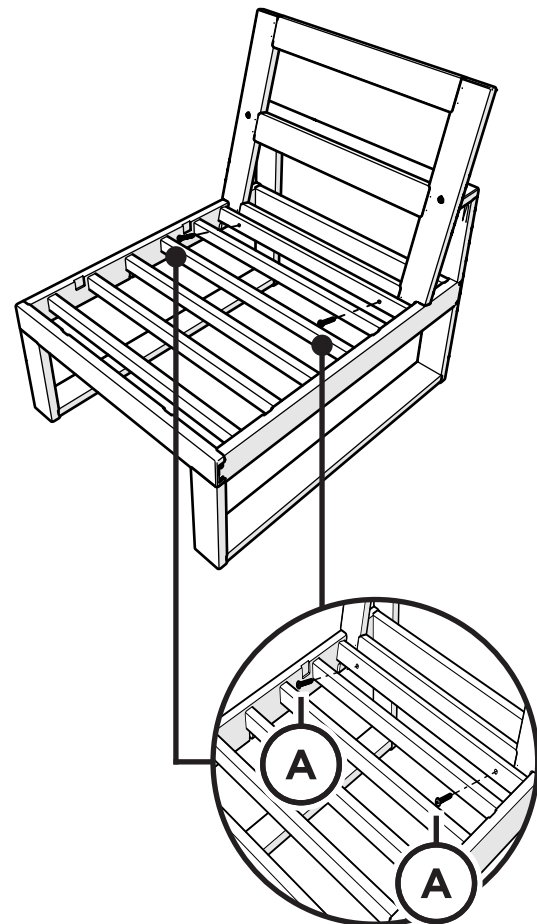
**1**



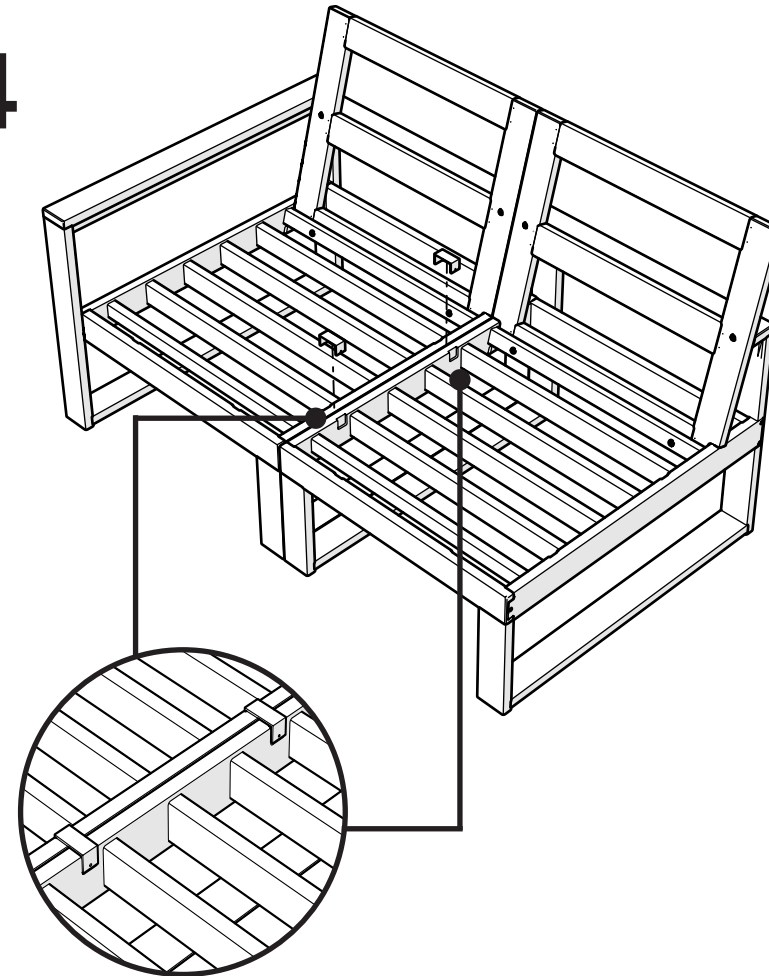
**2**



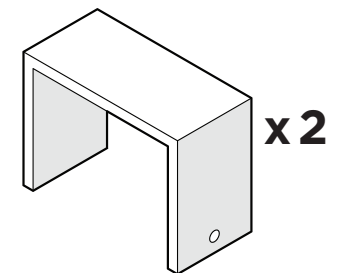
**3**



**4**



Brackets can be used to connect furniture together

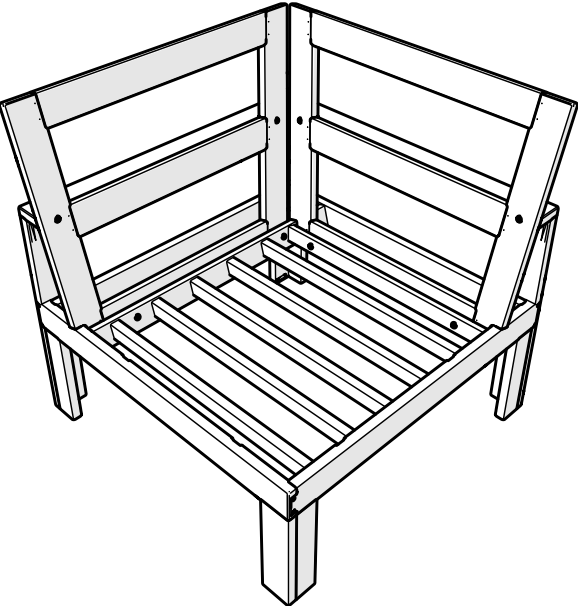


**x 2**

Bracket — P13275-AL

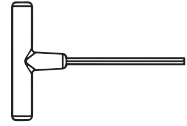
# Modular Corner Chair

## Assembly Instructions



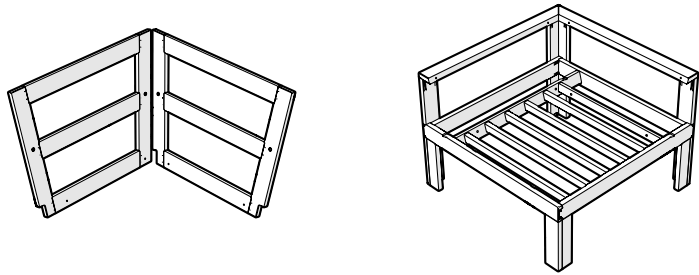
4604X

# TOOLS

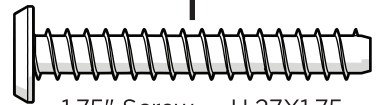


4mm T-handle  
hex key (included)

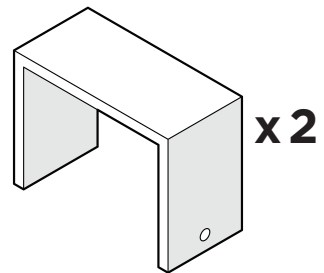
# PARTS



**A** x 8



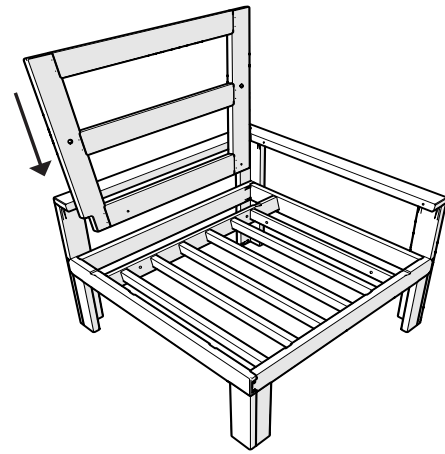
1.75" Screw — H.27X1.75



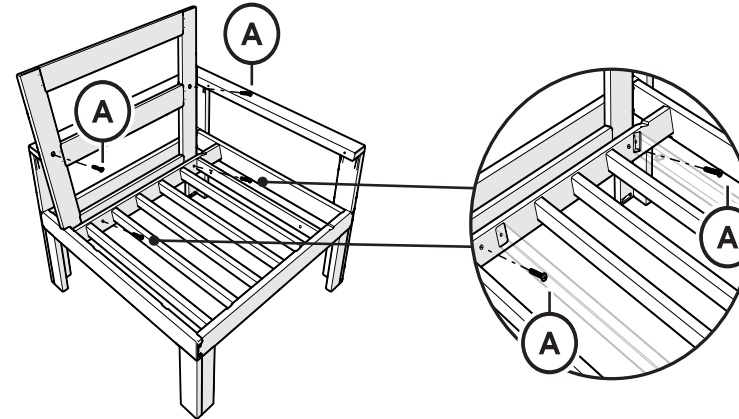
**x2**

Bracket — P13275-AL

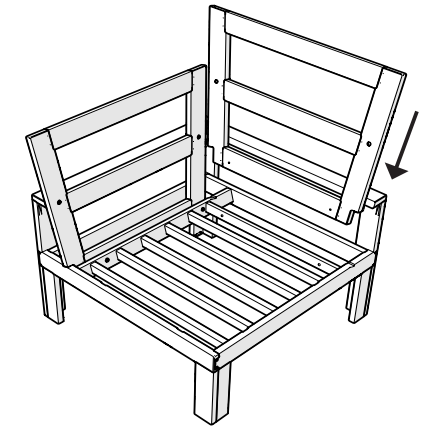
**1**



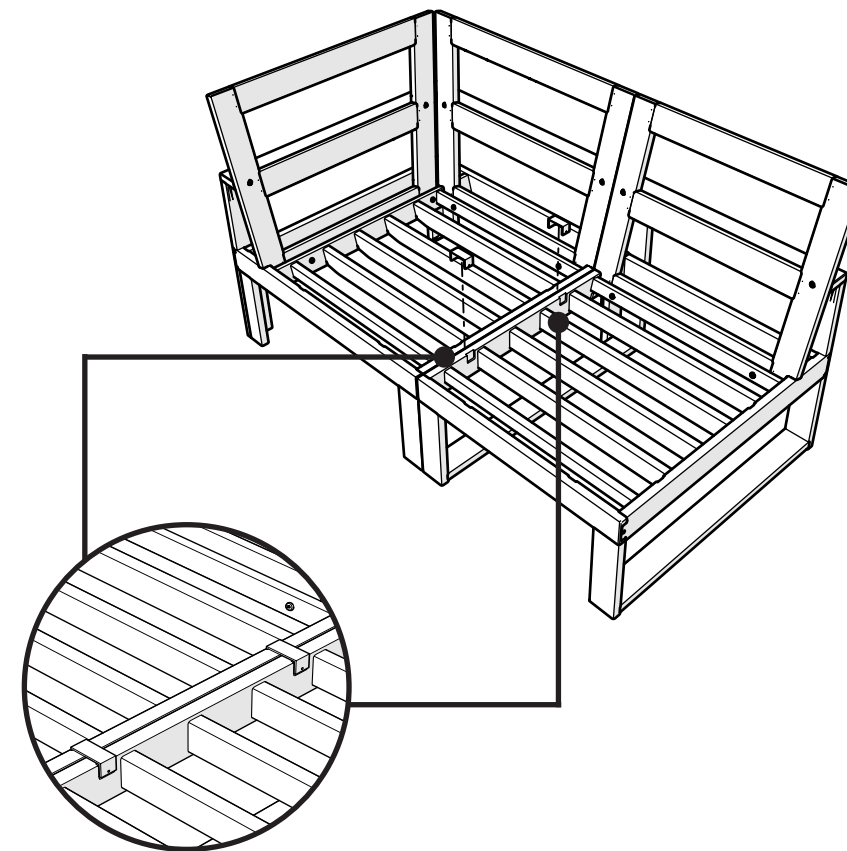
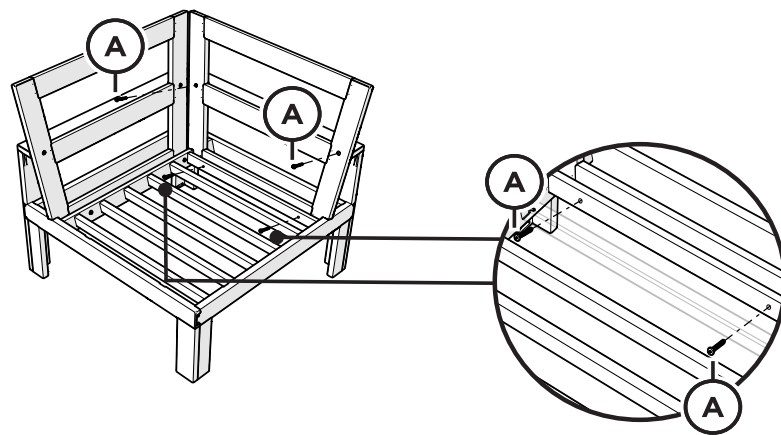
**2**



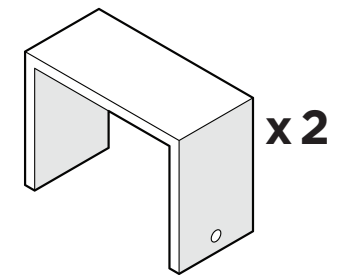
**3**



**4**



Brackets can be used to  
connect furniture together

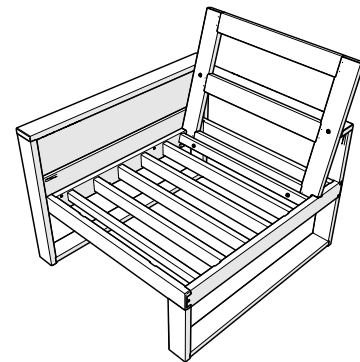


**x2**

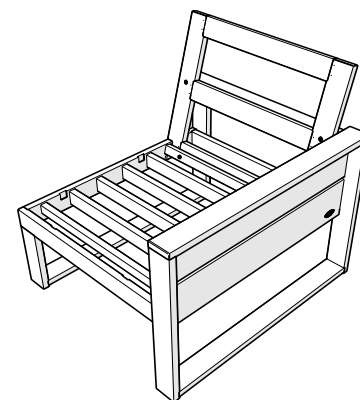
Bracket — P13275-AL



## Assembly Instructions



**TX4621LAFX**  
Eastport Modular Left Arm  
Chair



**TX4621RAFX**  
Eastport Modular Right  
Arm Chair

### ..... **20-Year Warranty** .....

To view our full warranty, please visit  
[trexfurniture.com/warranty](http://trexfurniture.com/warranty)

### ..... **Share your space** .....

We love to see where our furniture  
ends up — snap a pic and share  
it with us on Facebook!  
[facebook.com/trexfurniture](https://facebook.com/trexfurniture)

### ..... **Having Trouble?** .....

If you have questions or concerns regarding  
assembly instructions or missing parts,  
please contact us at **(877) 907-TREX (8739)**  
or email [support@trexfurniture.com](mailto:support@trexfurniture.com)

### ..... **Cleaning Tips** .....

Keep your Trex Outdoor Furniture™  
looking brand new:

#### **For a quick clean:**

Simply wipe down with soap and water.

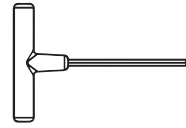
#### **For a deeper clean:**

You'll need:

- » 1/3 bleach and 2/3 water solution
- » clean cloth
- » soft bristle brush

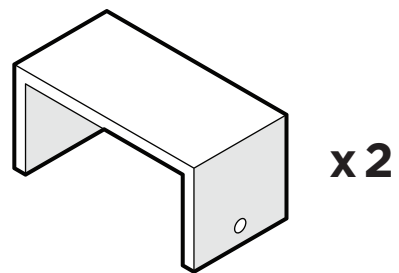
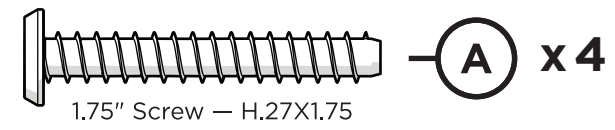
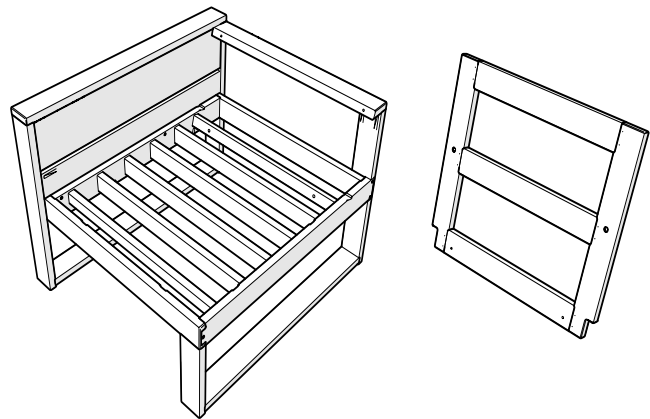
Wipe on solution with your cloth  
and let it sit on the lumber for a few  
minutes (this will not affect the color).  
Then, loosen any dirt and debris that  
may catch in surface grooves with a  
soft bristle brush; hose down to rinse.

# TOOLS



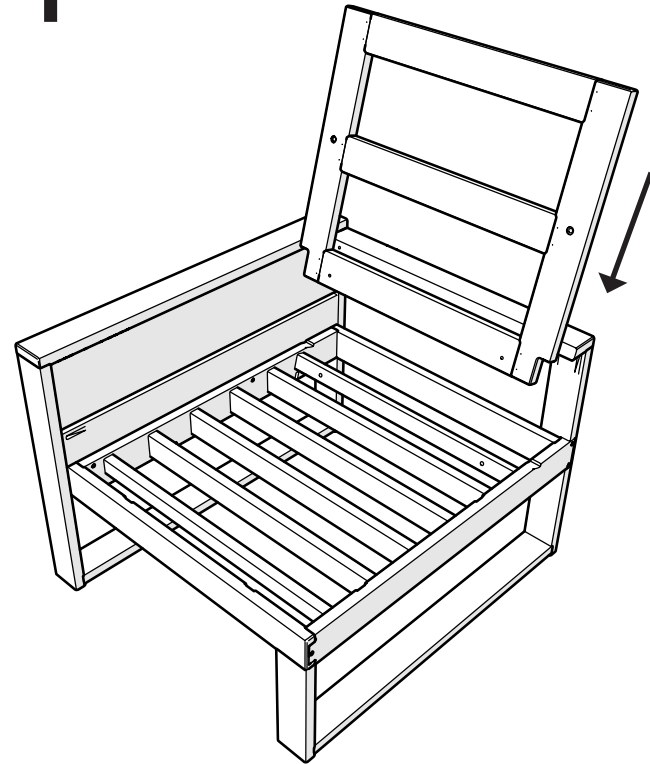
4mm T-handle  
hex key (included)

# PARTS

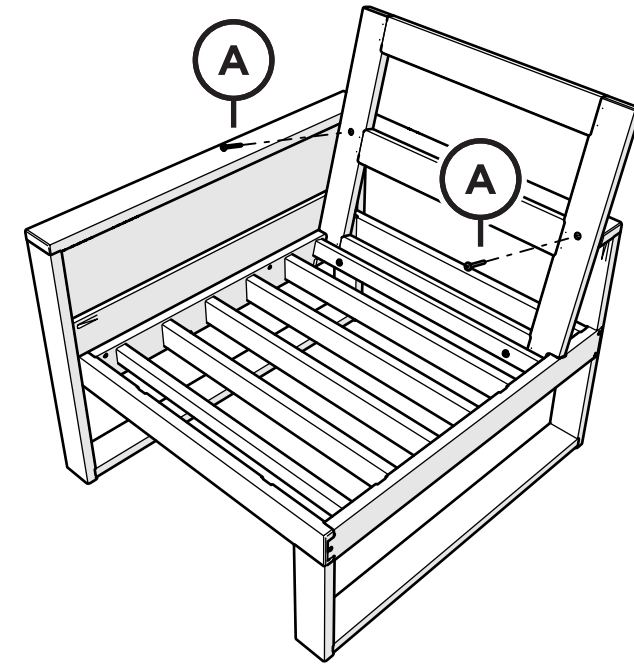


Bracket — P13275-AL

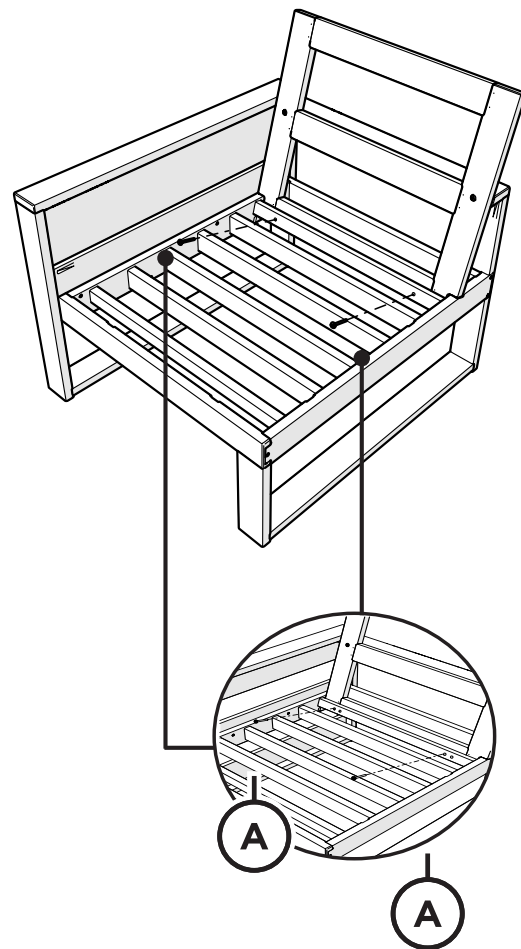
**1**



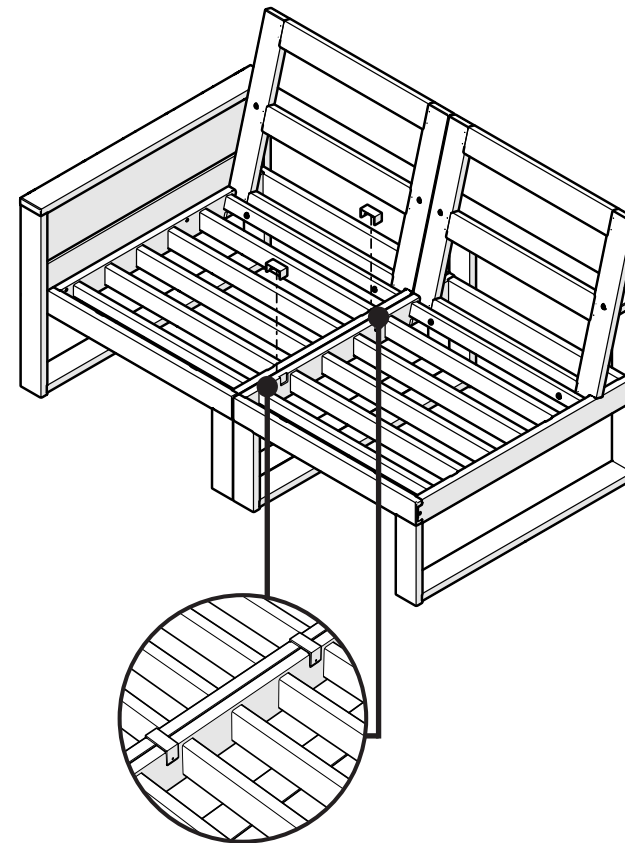
**2**



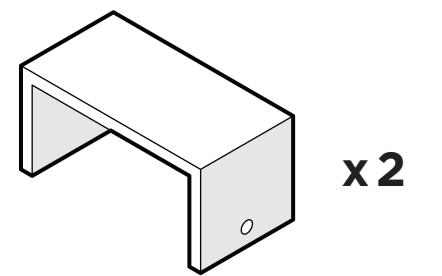
**3**



**4**



Brackets can be used  
to connect furniture together.



Bracket — P13275-AL