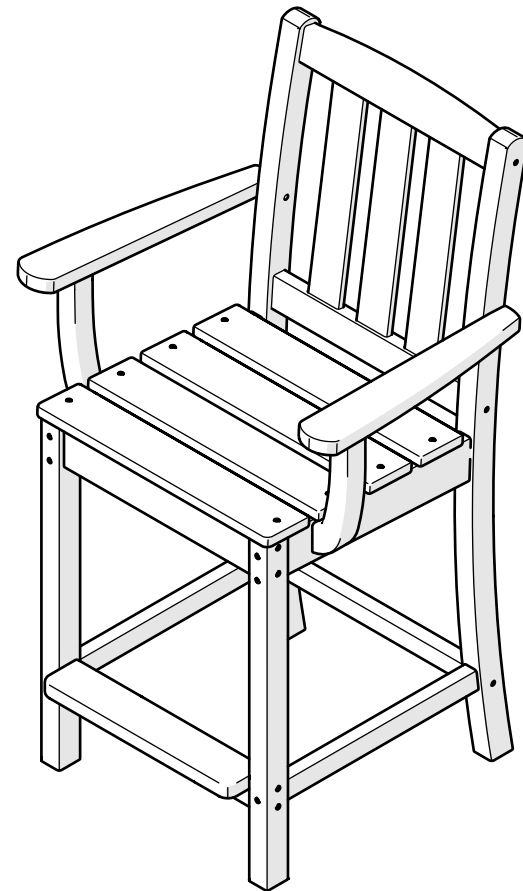




## Assembly Instructions



**TXTLD231**  
Cape Cod Counter  
Arm Chair

### ..... **20-Year Warranty** .....

To view our full warranty, please visit  
[trexfurniture.com/warranty](http://trexfurniture.com/warranty)

### ..... **Share your space** .....

We love to see where our furniture  
ends up — snap a pic and share  
it with us on Facebook!  
[facebook.com/trexfurniture](https://facebook.com/trexfurniture)

### ..... **Having Trouble?** .....

If you have questions or concerns regarding  
assembly instructions or missing parts,  
please contact us at **(877) 907-TREX (8739)**  
or email [support@trexfurniture.com](mailto:support@trexfurniture.com)

### ..... **Cleaning Tips** .....

Keep your Trex Outdoor Furniture™  
looking brand new:

#### **For a quick clean:**

Simply wipe down with soap and water.

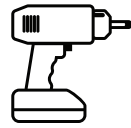
#### **For a deeper clean:**

You'll need:

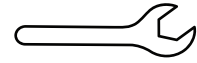
- » 1/3 bleach and 2/3 water solution
- » clean cloth
- » soft bristle brush

Wipe on solution with your cloth  
and let it sit on the lumber for a few  
minutes (this will not affect the color).  
Then, loosen any dirt and debris that  
may catch in surface grooves with a  
soft bristle brush; hose down to rinse.

# TOOLS

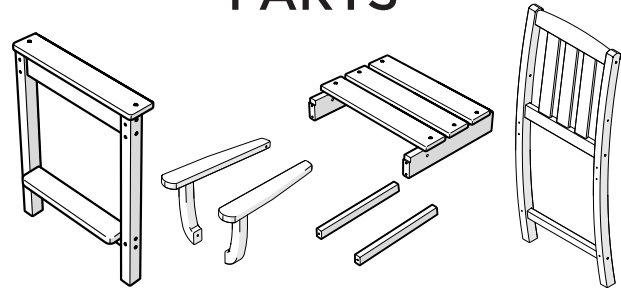


Phillips Screwdriver  
(Screw Gun Recommended)  
(Not Included)

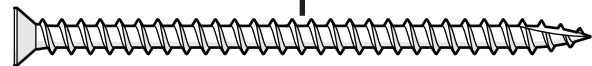


3/8" wrench  
(not included)

# PARTS

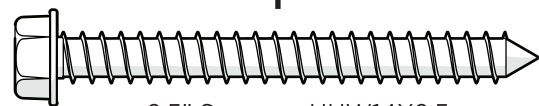


**A** x12



3" Phillips Screw — H8-10X3T17

**B** x2

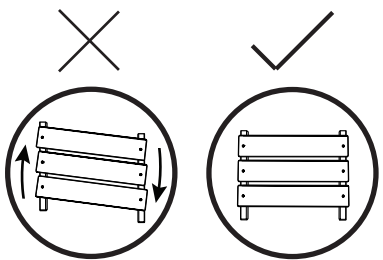


2.5" Screw — HHW14X2.5

**C** x2

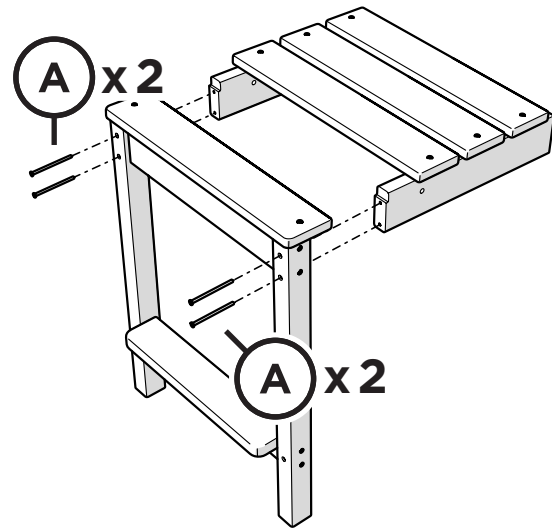


Cap Dowel Screw — HD.25X2+P11420

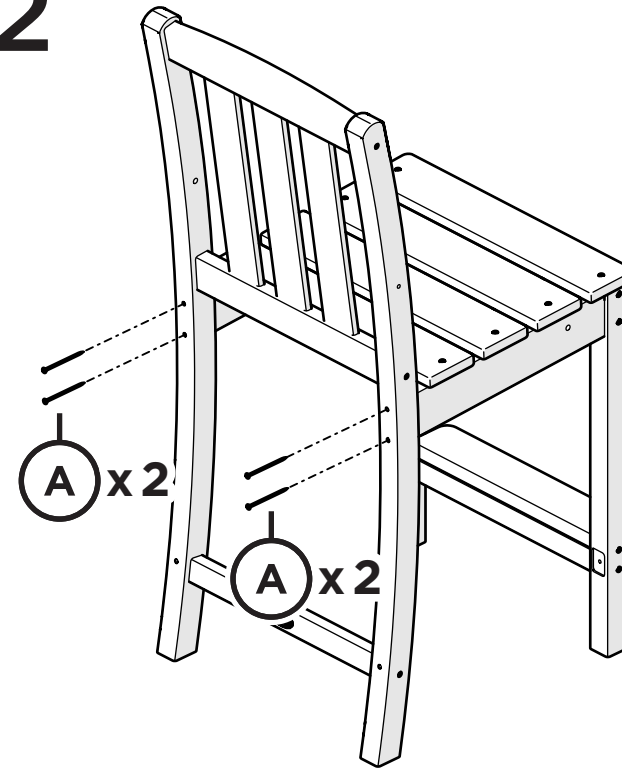


If seat has shifted, please pivot at corners to square up before assembling.

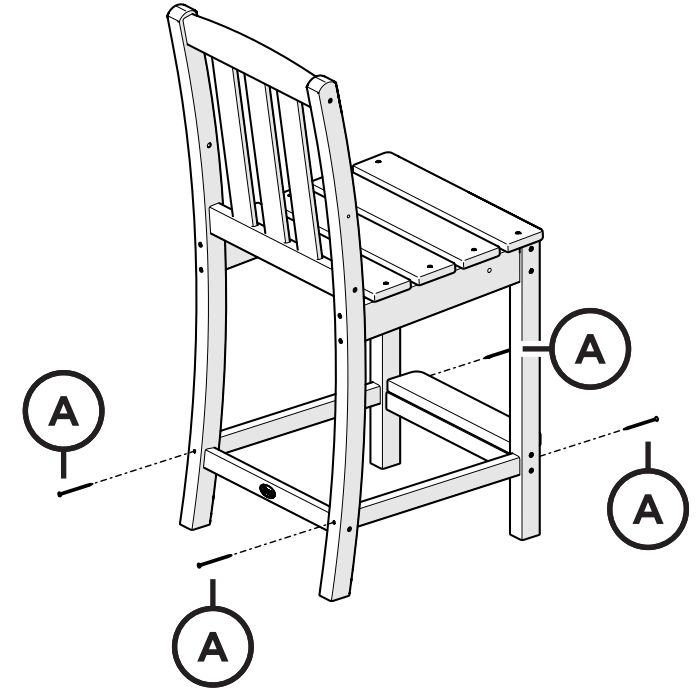
**1**



**2**

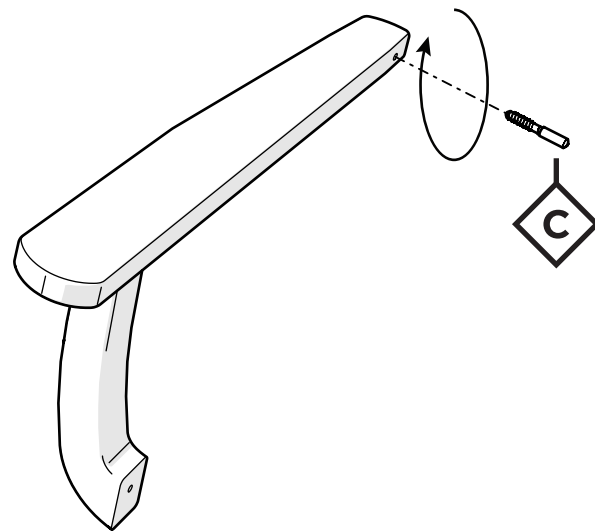


**3**



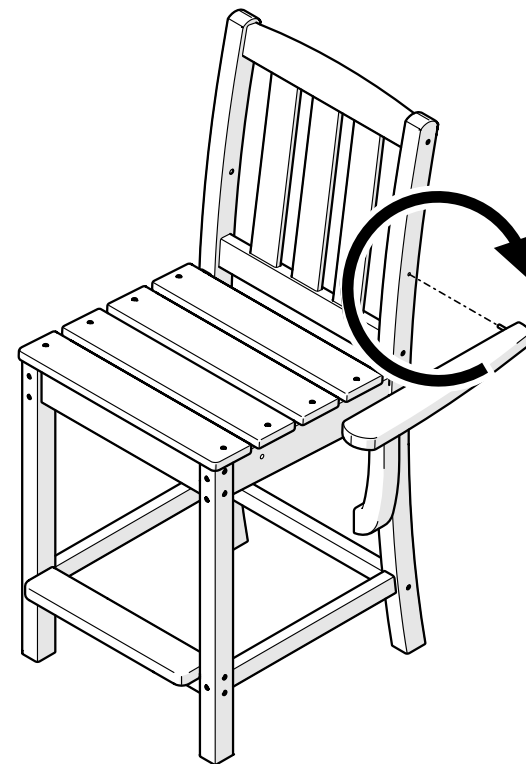
**4**

Twist dowel screw into arm until finger-tight, remove protective cap



Repeat On Opposite Side

**5**



Repeat On Opposite Side

**6**

