



## Assembly Instructions



# TXADBN

Cape Cod 48"  
Adirondack Bench

### ..... 20-Year Warranty .....

To view our full warranty, please visit  
[trexfurniture.com/warranty](http://trexfurniture.com/warranty)

### ..... Share your space .....

We love to see where our furniture  
ends up — snap a pic and share  
it with us on Facebook!  
[facebook.com/trexfurniture](https://www.facebook.com/trexfurniture)

### ..... Having Trouble? .....

If you have questions or concerns regarding  
assembly instructions or missing parts,  
please contact us at **(877) 907-TREX (8739)**  
or email [support@trexfurniture.com](mailto:support@trexfurniture.com)

### ..... Cleaning Tips .....

Keep your Trex Outdoor Furniture™  
looking brand new:

#### **For a quick clean:**

Simply wipe down with soap and water.

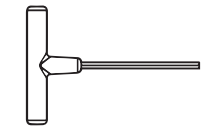
#### **For a deeper clean:**

You'll need:

- » 1/3 bleach and 2/3 water solution
- » clean cloth
- » soft bristle brush

Wipe on solution with your cloth  
and let it sit on the lumber for a few  
minutes (this will not affect the color).  
Then, loosen any dirt and debris that  
may catch in surface grooves with a  
soft bristle brush; hose down to rinse.

# TOOLS

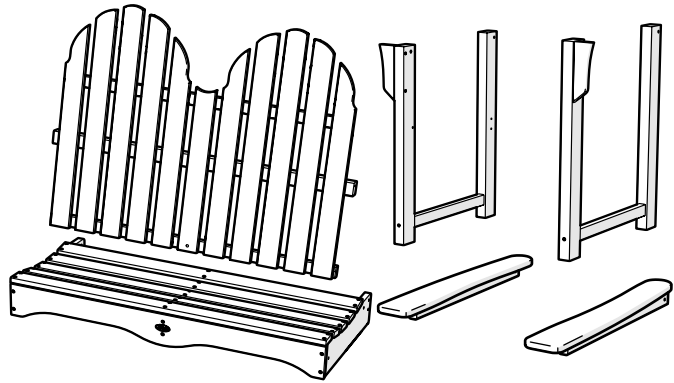


4mm T-handle hex key (included)

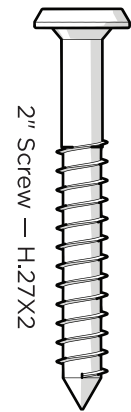


4mm hex key (included)

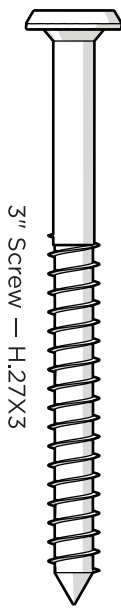
# PARTS



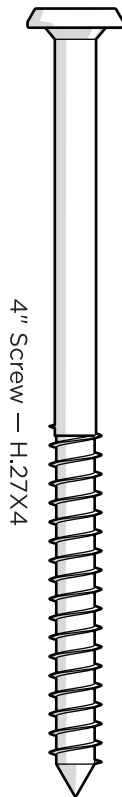
**A** x10   **B** x1   **C** x2



2" Screw — H.27X2

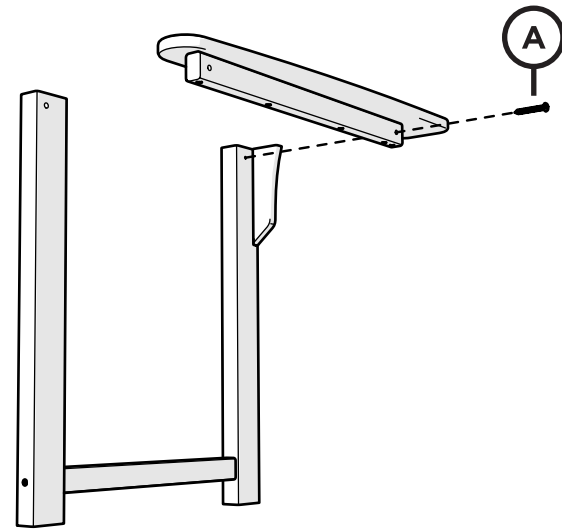


3" Screw — H.27X3



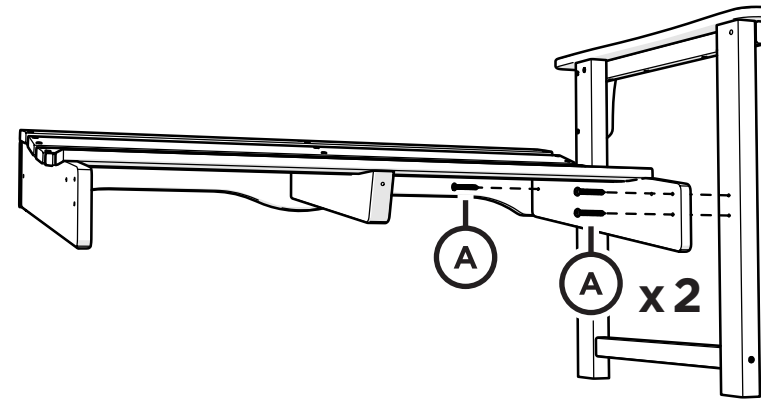
4" Screw — H.27X4

# 1



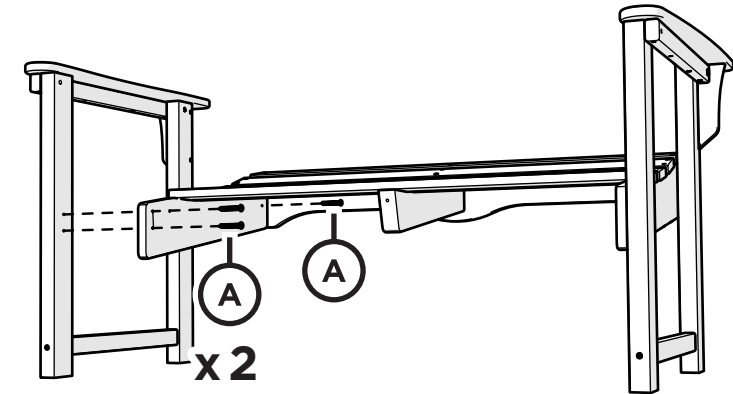
Repeat for other frame

# 2

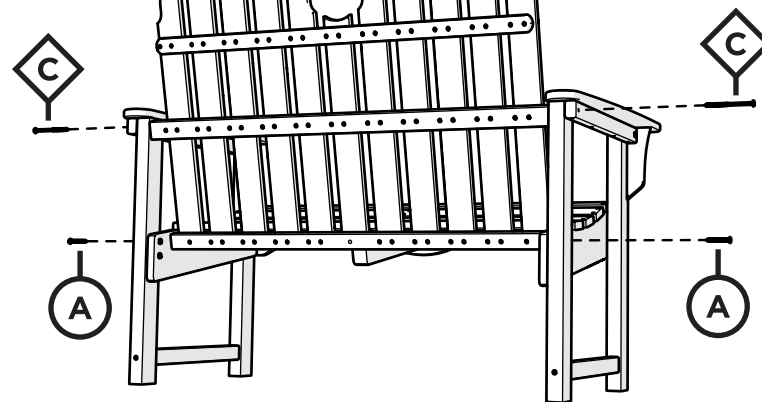


Do not tighten bolts yet

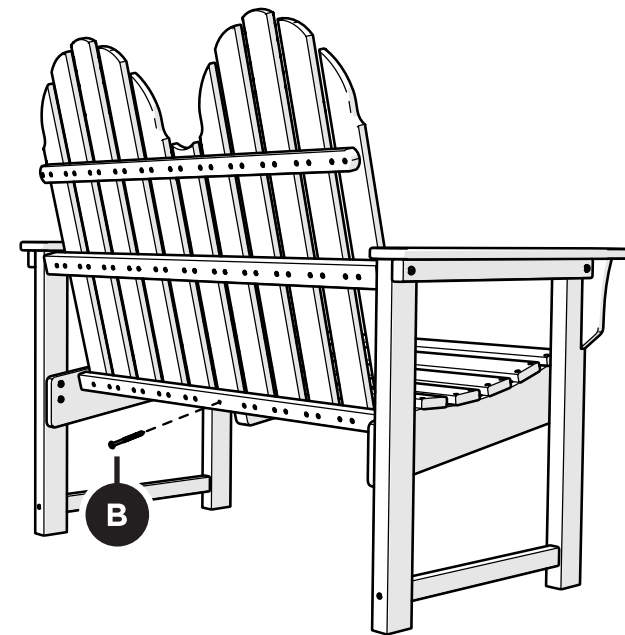
# 3



# 4



# 5



Tighten all bolts

