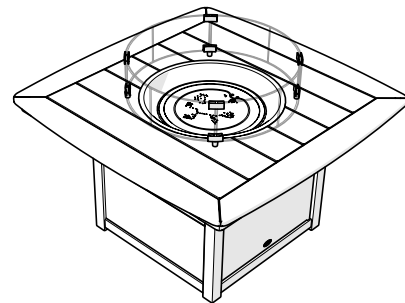
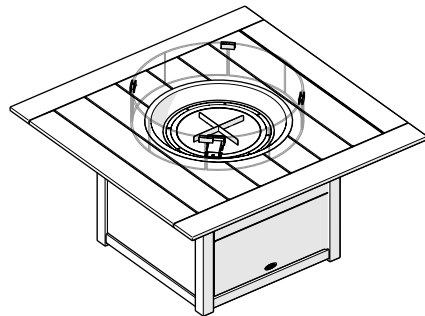




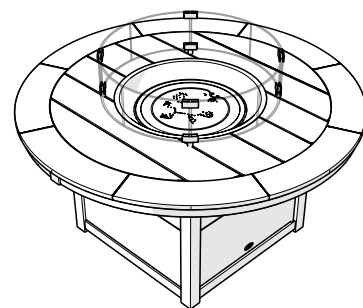
Assembly Instructions



TXCTF42N



TXCTF42S



TXCTF48R

**TXCTF42N,
TXCTF42S,
TXCTF48R**

..... 20-Year Warranty

To view our full warranty, please visit
trexfurniture.com/warranty

..... Share your space

We love to see where our furniture
ends up — snap a pic and share
it with us on Facebook!
facebook.com/trexfurniture

..... Having Trouble?

If you have questions or concerns regarding
assembly instructions or missing parts,
please contact us at **(877) 907-TREX (8739)**
or email support@trexfurniture.com

..... Cleaning Tips

Keep your Trex Outdoor Furniture™
looking brand new:

For a quick clean:

Simply wipe down with soap and water.

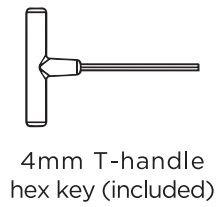
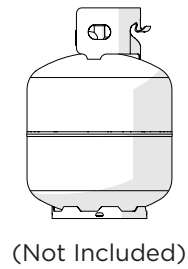
For a deeper clean:

You'll need:

- » 1/3 bleach and 2/3 water solution
- » clean cloth
- » soft bristle brush

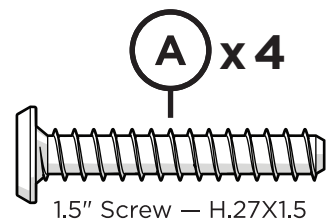
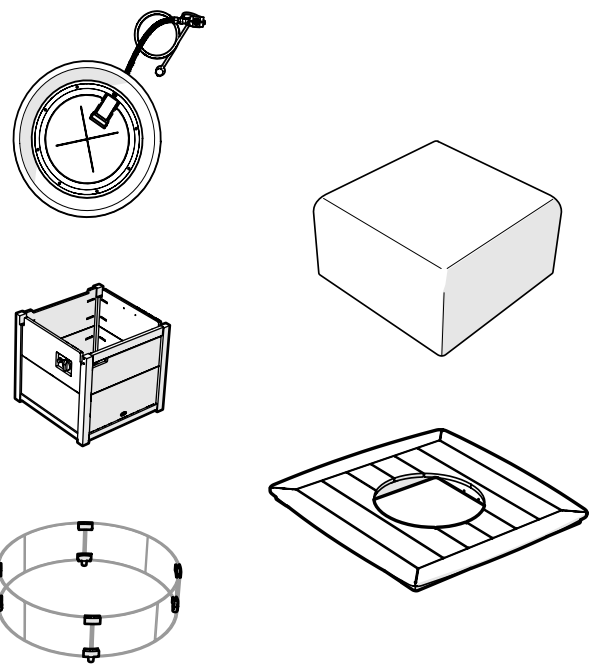
Wipe on solution with your cloth
and let it sit on the lumber for a few
minutes (this will not affect the color).
Then, loosen any dirt and debris that
may catch in surface grooves with a
soft bristle brush; hose down to rinse.

TOOLS



4mm T-handle
hex key (included)

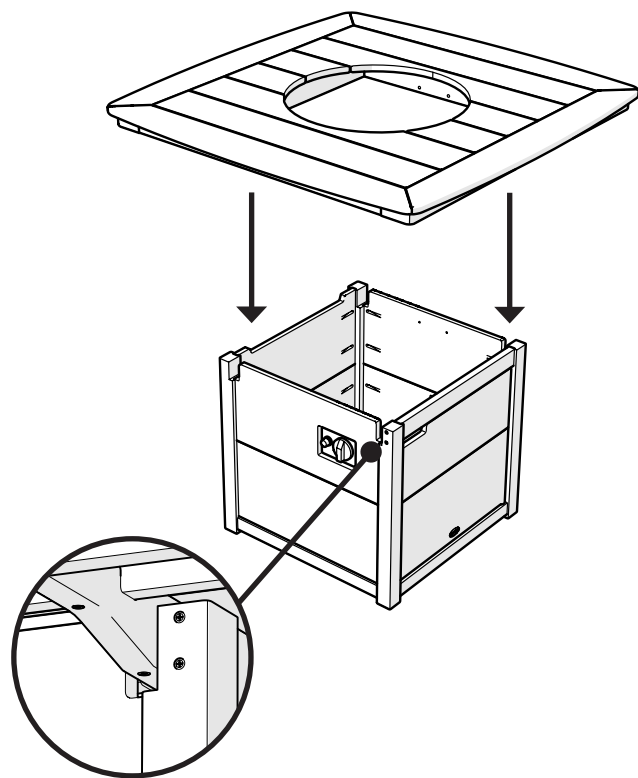
PARTS



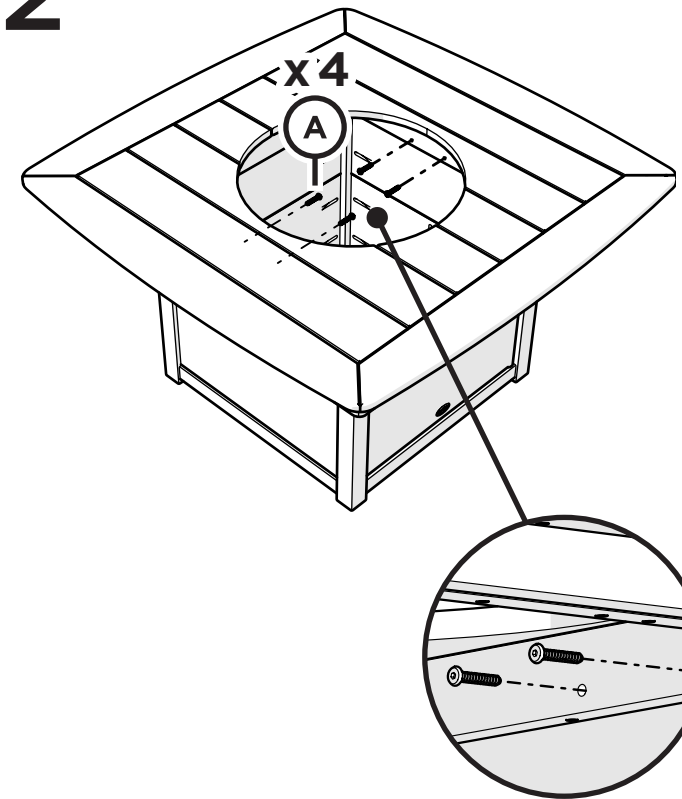
1.5" Screw — H.27X1.5

1

Note: Line up top
screw holes with
base screw holes

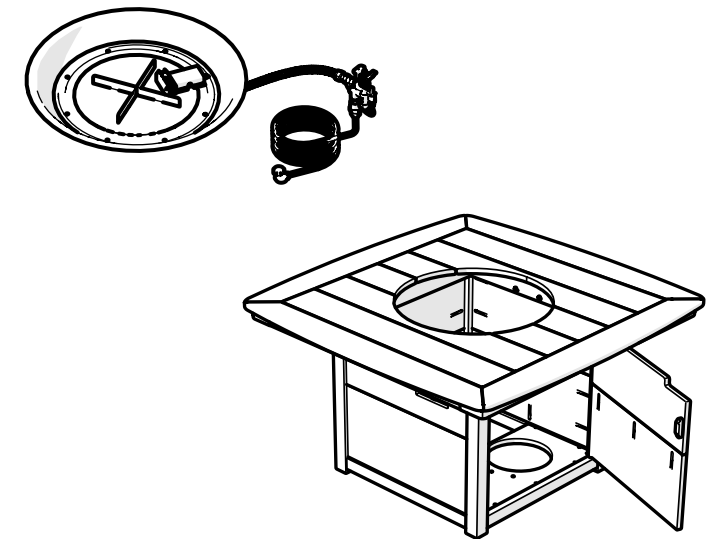


2

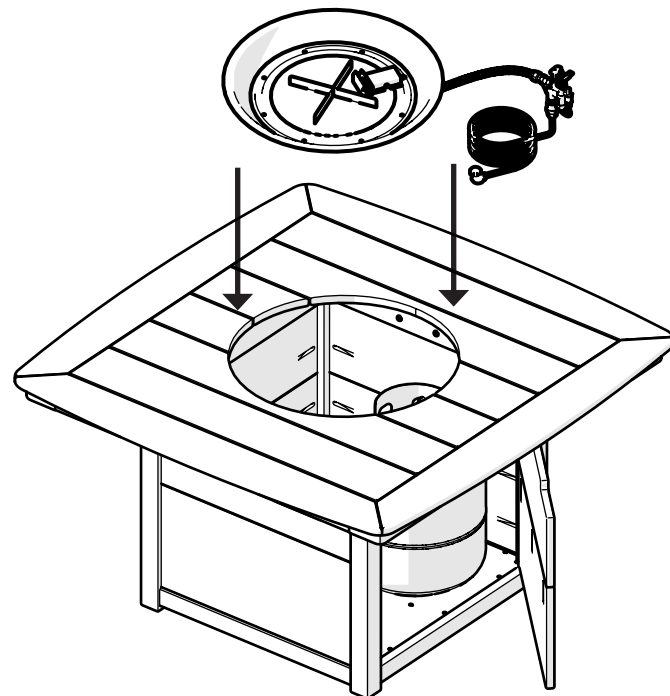


3

See Crystal Fire Plus manual
for burner installation



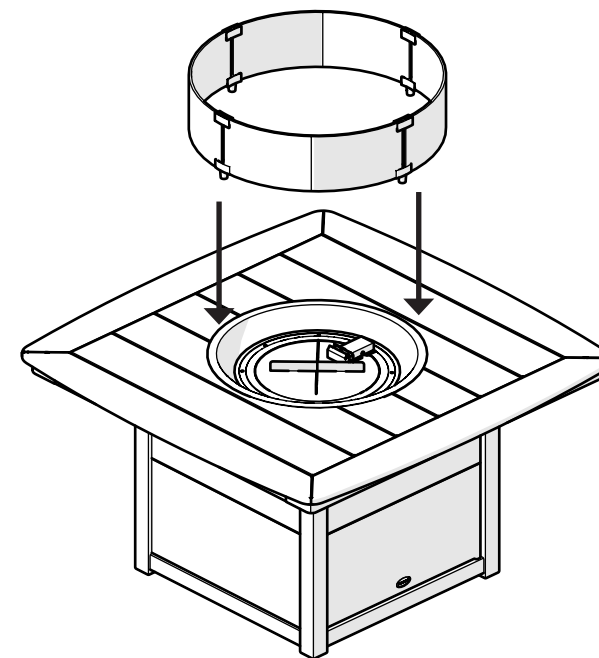
4



5

See Glass Guard-20-R manual
for assembly instructions

Important!
Glass Guard Required



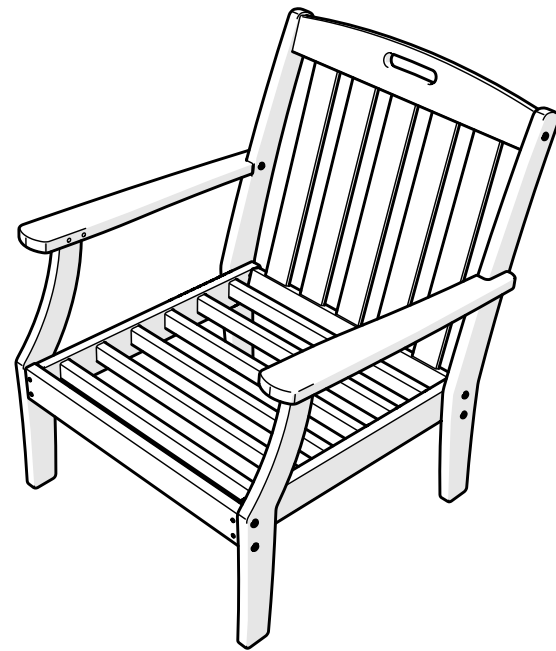
Protect with included cover when not
in use. Before covering, allow sufficient
time for the unit to cool after use.



When turning off the gas, wait until
bowl has cooled down and tilt propane
tank forward.



Assembly Instructions



TX4511X

Yacht Club Deep Seating Chair

..... 20-Year Warranty

To view our full warranty, please visit
trexfurniture.com/warranty

..... Share your space

We love to see where our furniture ends up — snap a pic and share it with us on Facebook!
[facebook.com/trexfurniture](https://www.facebook.com/trexfurniture)

..... Having Trouble?

If you have questions or concerns regarding assembly instructions or missing parts, please contact us at **(877) 907-TREX (8739)** or email support@trexfurniture.com

..... Cleaning Tips

Keep your Trex Outdoor Furniture™ looking brand new:

For a quick clean:

Simply wipe down with soap and water.

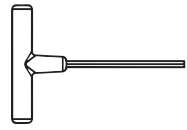
For a deeper clean:

You'll need:

- » 1/3 bleach and 2/3 water solution
- » clean cloth
- » soft bristle brush

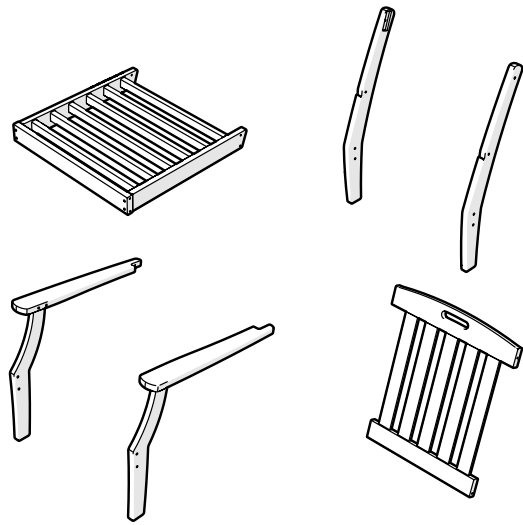
Wipe on solution with your cloth and let it sit on the lumber for a few minutes (this will not affect the color). Then, loosen any dirt and debris that may catch in surface grooves with a soft bristle brush; hose down to rinse.

TOOLS

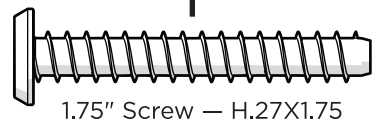


4mm T-handle hex key (included)

PARTS

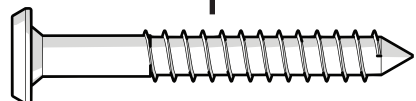


A x4



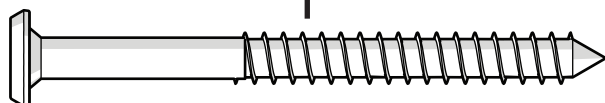
1.75" Screw — H.27X1.75

B x6



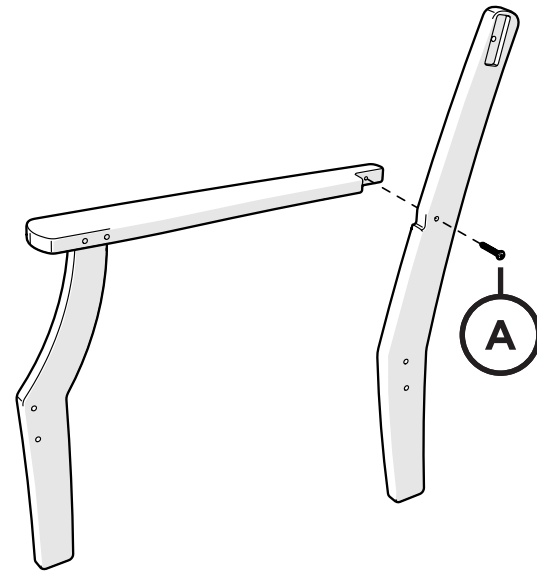
2" Screw — H.27X2

C x2



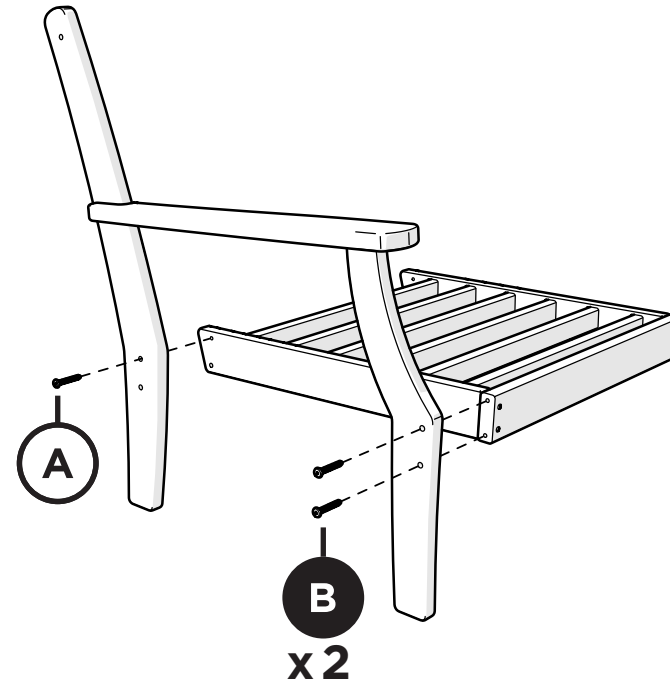
3" Screw — H.27X3

1

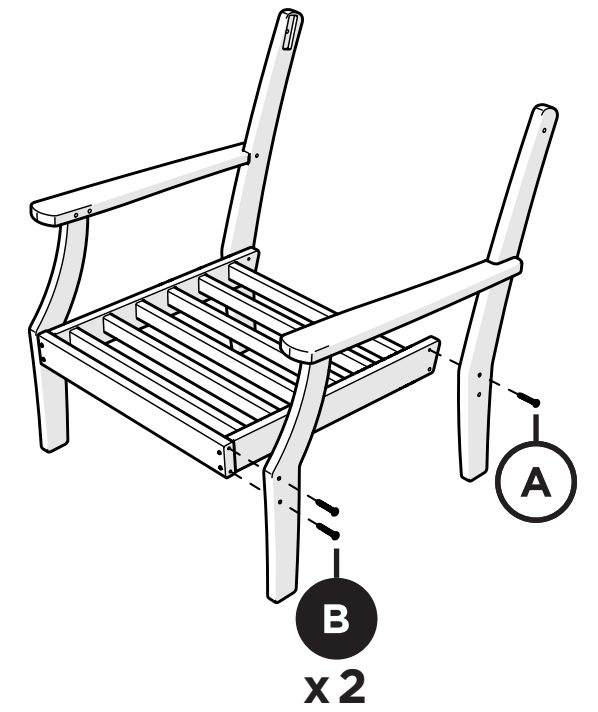


Repeat on opposite side

2



3



4

