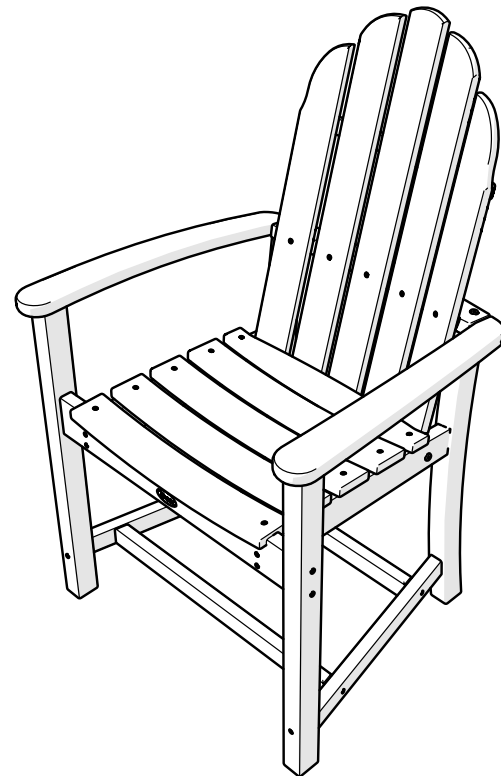




Assembly Instructions



TXADD200, 201, 202 Cape Cod Adirondack Chair

..... **20-Year Warranty**

To view our full warranty, please visit
trexfurniture.com/warranty

..... **Share your space**

We love to see where our furniture
ends up — snap a pic and share
it with us on Facebook!
[facebook.com/trexfurniture](https://www.facebook.com/trexfurniture)

..... **Having Trouble?**

If you have questions or concerns regarding
assembly instructions or missing parts,
please contact us at (877) 907-TREX (8739)
or email support@trexfurniture.com

..... **Cleaning Tips**

Keep your Trex Outdoor Furniture™
looking brand new:

For a quick clean:

Simply wipe down with soap and water.

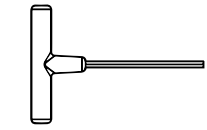
For a deeper clean:

You'll need:

- » 1/3 bleach and 2/3 water solution
- » clean cloth
- » soft bristle brush

Wipe on solution with your cloth
and let it sit on the lumber for a few
minutes (this will not affect the color).
Then, loosen any dirt and debris that
may catch in surface grooves with a
soft bristle brush; hose down to rinse.

TOOLS

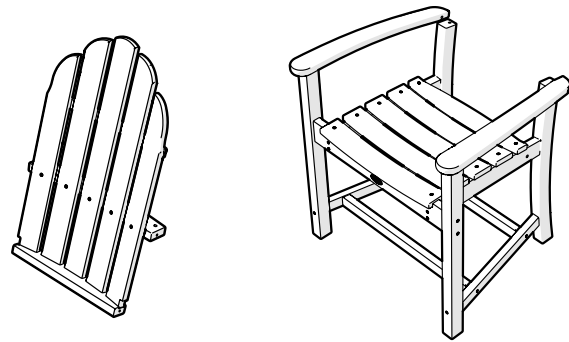


4mm T-handle
hex key (included)

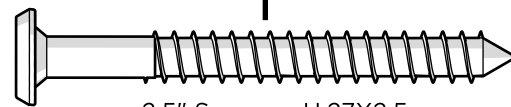


4mm hex key
(included)

PARTS

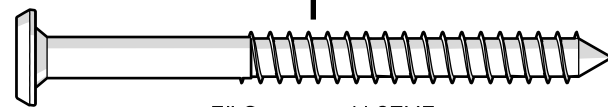


A x 4



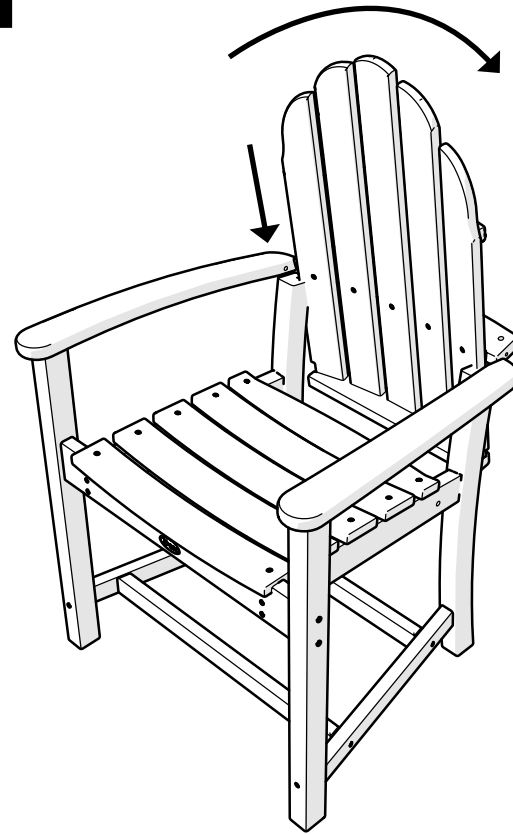
2.5" Screw — H.27X2.5

B x 2

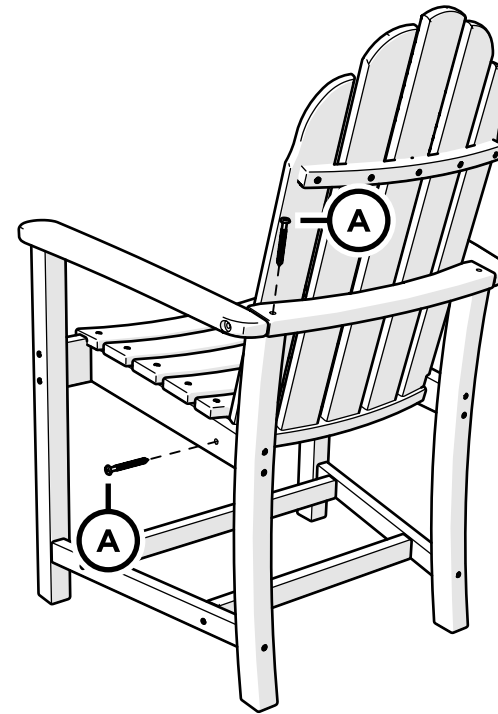


3" Screw — H.27X3

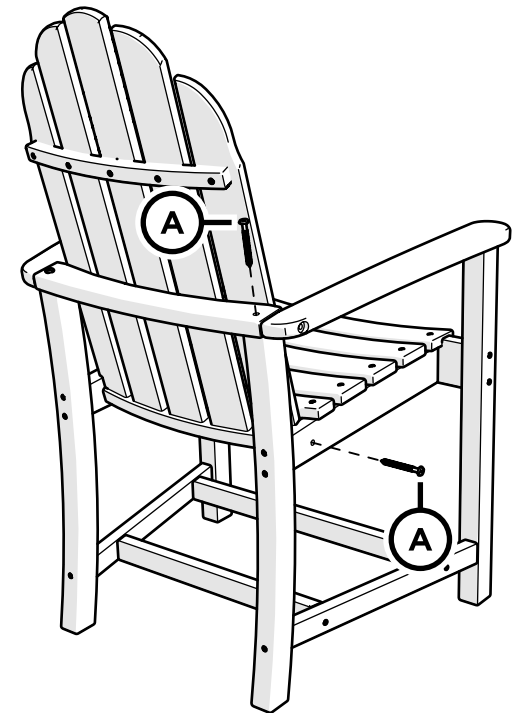
1



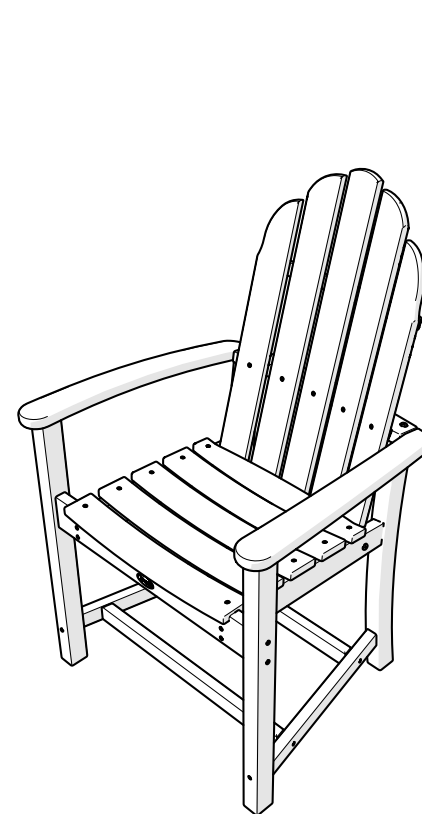
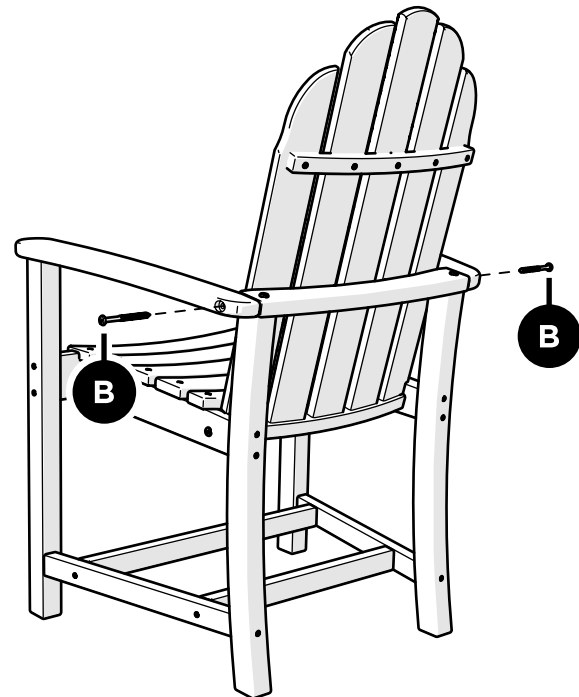
2



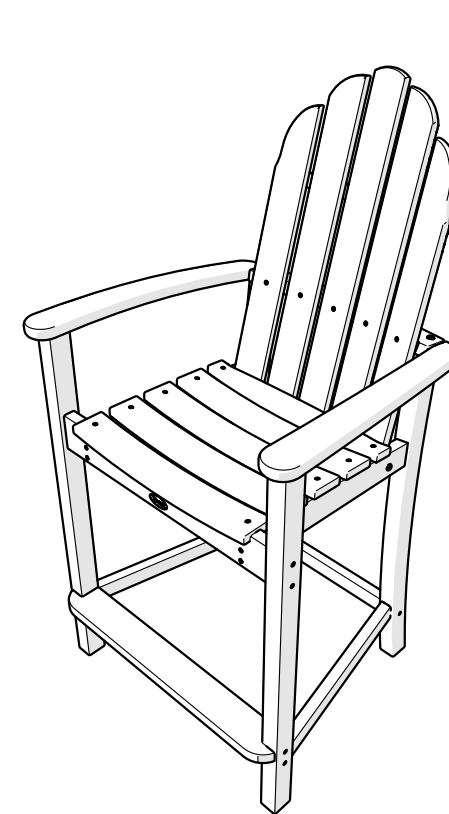
3



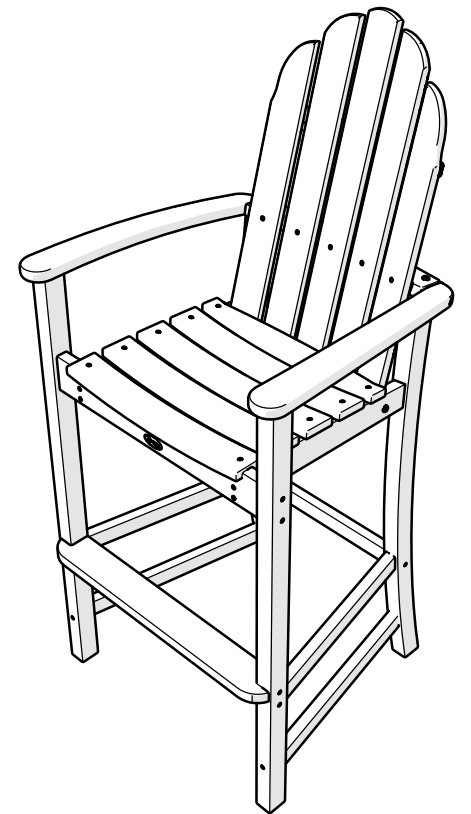
4



TXADD200



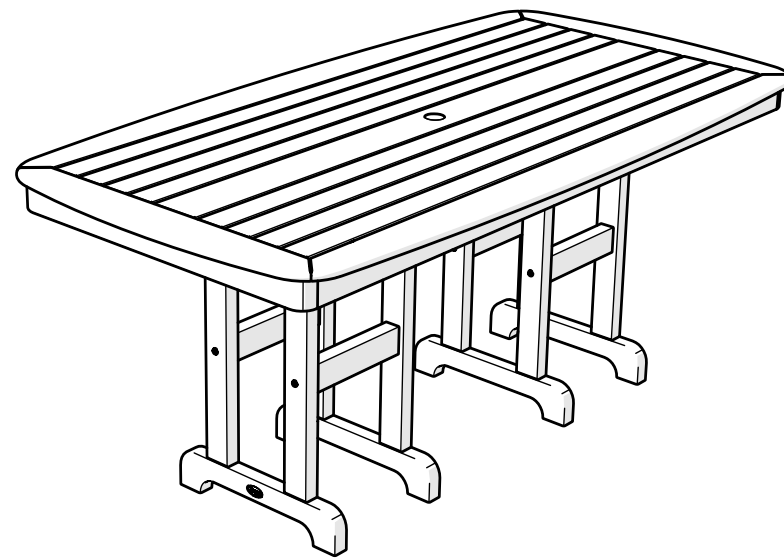
TXADD201



TXADD202



Assembly Instructions



TXNCT3772

Yacht Club 37" x 72"
Dining Table

..... 20-Year Warranty

To view our full warranty, please visit
trexfurniture.com/warranty

..... Share your space

We love to see where our furniture
ends up — snap a pic and share
it with us on Facebook!
[facebook.com/trexfurniture](https://www.facebook.com/trexfurniture)

..... Having Trouble?

If you have questions or concerns regarding
assembly instructions or missing parts,
please contact us at (877) 907-TREX (8739)
or email support@trexfurniture.com

..... Cleaning Tips

Keep your Trex Outdoor Furniture™
looking brand new:

For a quick clean:

Simply wipe down with soap and water.

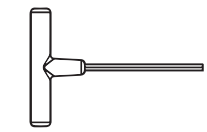
For a deeper clean:

You'll need:

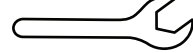
- » 1/3 bleach and 2/3 water solution
- » clean cloth
- » soft bristle brush

Wipe on solution with your cloth
and let it sit on the lumber for a few
minutes (this will not affect the color).
Then, loosen any dirt and debris that
may catch in surface grooves with a
soft bristle brush; hose down to rinse.

TOOLS

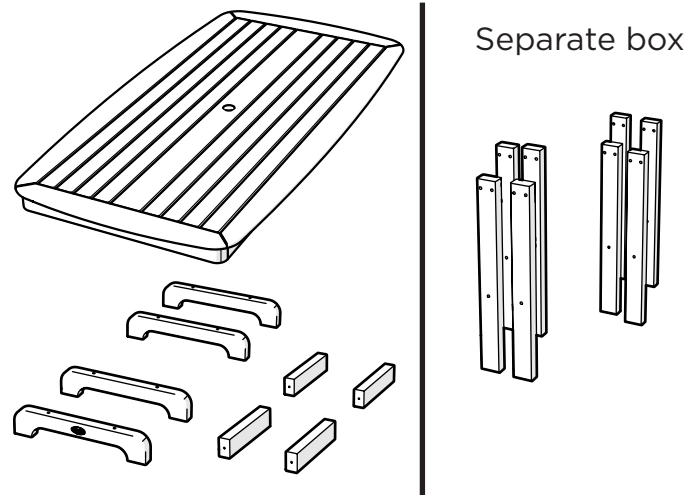


4mm T-handle hex key (included)



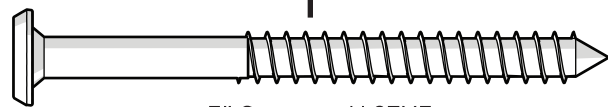
3/8" wrench (not included)

PARTS



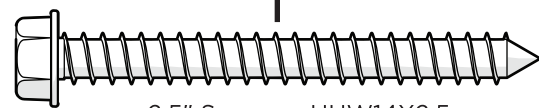
Separate box

A x 16



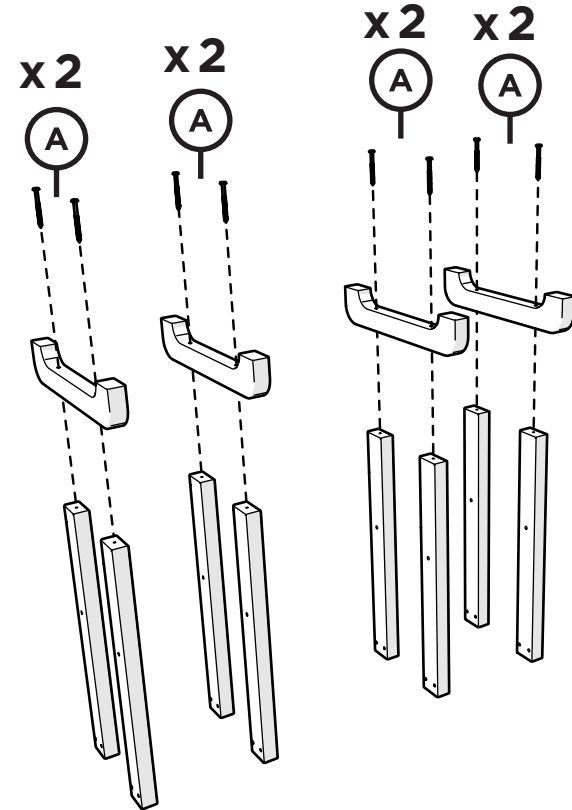
3" Screw — H.27X3

B x 16

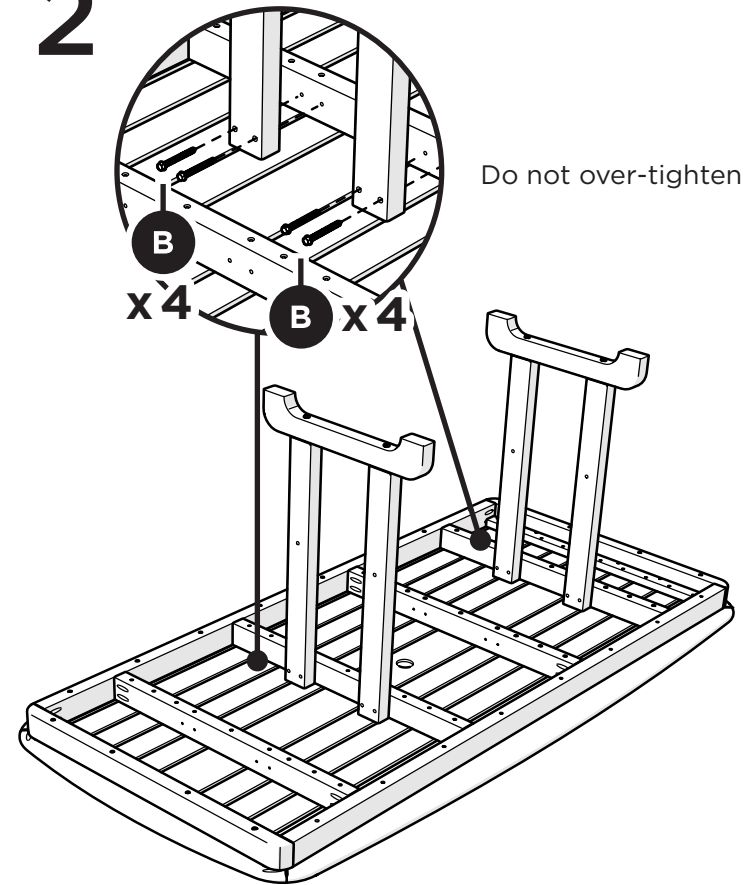


2.5" Screw — HHW14X2.5

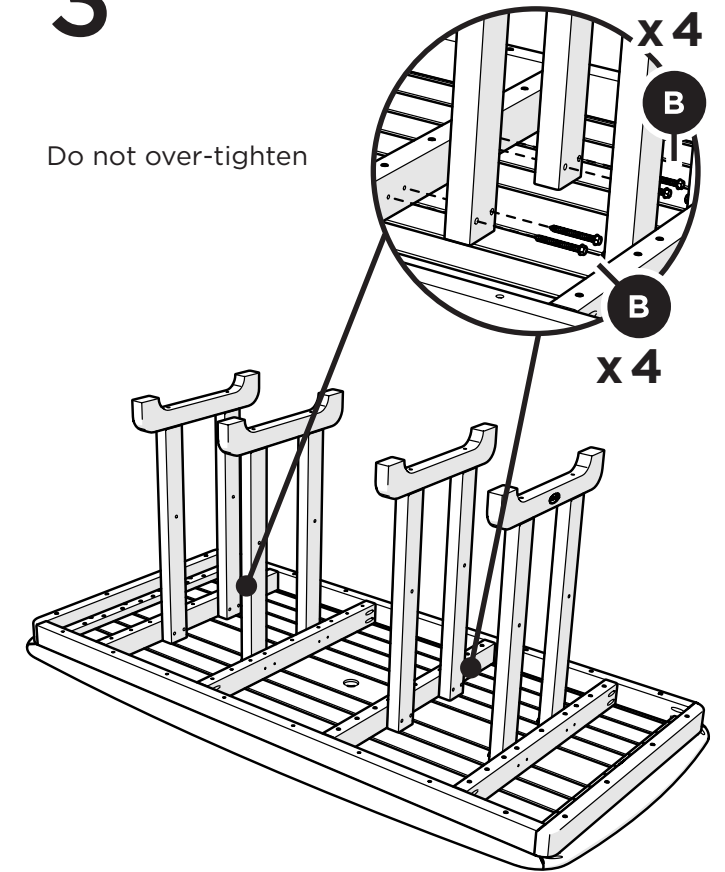
1



2



3



4

