



Assembly Instructions



1. Unfold chair
2. Remove shipping caps from rear brackets

TXD38

Yacht Club

Highback Chair

trefurniture.com

09/25/2017

..... 20-Year Warranty

To view our full warranty, please visit trefurniture.com/warranty

..... Having Trouble?

If you have questions or concerns regarding assembly instructions or missing parts, please contact us at (877) 907-TREX (8739) or email support@trefurniture.com

..... Share your space

We love to see where our furniture ends up — snap a pic and share it with us on Facebook!
facebook.com/trefurniture

..... Cleaning Tips

Keep your Trex Outdoor Furniture looking brand new:

For a quick clean:

Simply wipe down with soap and water.

For a deeper clean:

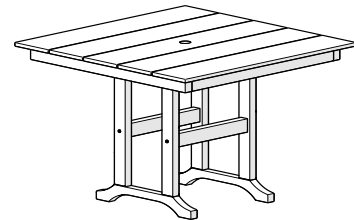
You'll need:

- » 1/3 bleach and 2/3 water solution
- » clean cloth
- » soft bristle brush

Wipe on solution with your cloth and let it sit on the lumber for a few minutes (this will not affect the color). Then, loosen any dirt and debris that may catch in surface grooves with a soft bristle brush; hose down to rinse.



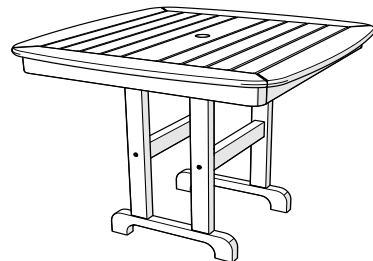
Assembly Instructions



TXFDT37
Monterey Bay 37\"/>
Dining Table



TXRT236 **TXRT248**
Monterey Bay Monterey Bay
Round 36\" Round 48\"
Dining Table Dining Table



TXNCT37 **TXNCT44**
Yacht Club 37\" Yacht Club 44\"
Dining Table Dining Table

..... 20-Year Warranty

To view our full warranty, please visit
trexfurniture.com/warranty

..... Share your space

We love to see where our furniture
ends up — snap a pic and share
it with us on Facebook!
facebook.com/trexfurniture

..... Having Trouble?

If you have questions or concerns regarding
assembly instructions or missing parts,
please contact us at **(877) 907-TREX (8739)**
or email support@trexfurniture.com

..... Cleaning Tips

Keep your Trex Outdoor Furniture™
looking brand new:

For a quick clean:

Simply wipe down with soap and water.

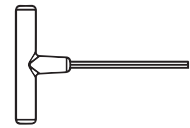
For a deeper clean:

You'll need:

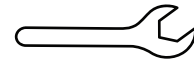
- » 1/3 bleach and 2/3 water solution
- » clean cloth
- » soft bristle brush

Wipe on solution with your cloth
and let it sit on the lumber for a few
minutes (this will not affect the color).
Then, loosen any dirt and debris that
may catch in surface grooves with a
soft bristle brush; hose down to rinse.

TOOLS

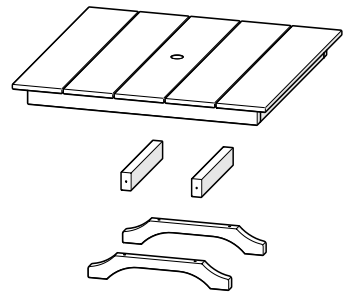


4mm T-handle
hex key (included)

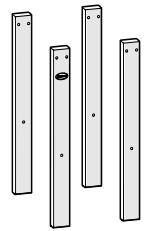


3/8" wrench
(not included)

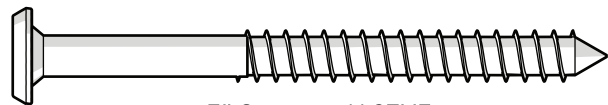
PARTS



Separate box

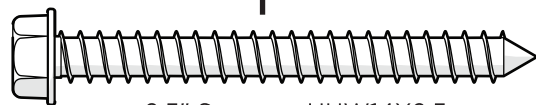


A x 8



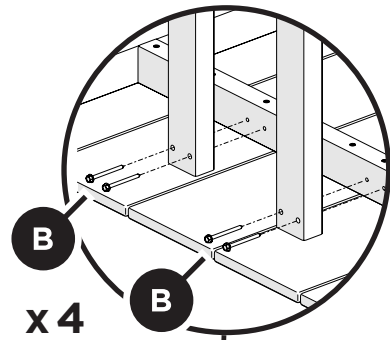
3" Screw — H.27X3

B x 8



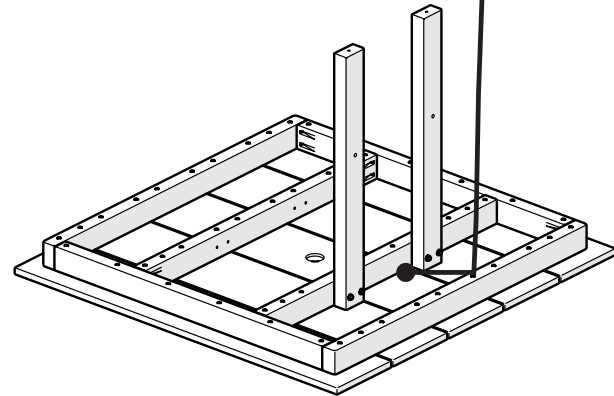
2.5" Screw — HHW14X2.5

1



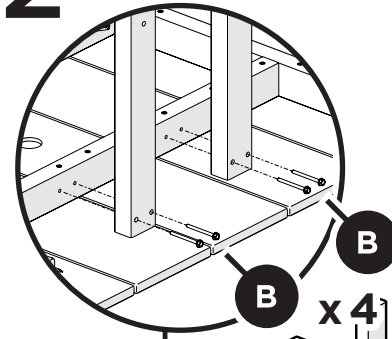
B x 4

Do not over-tighten



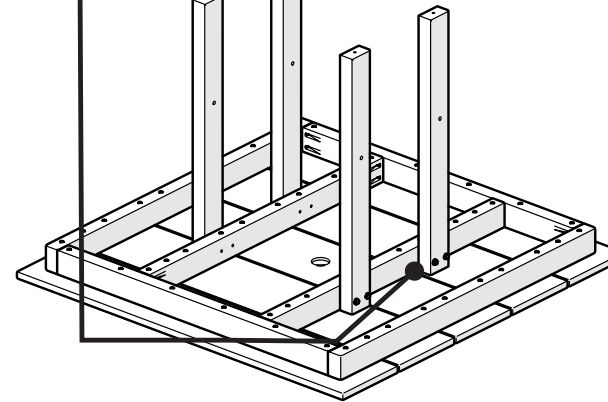
FDT37 shown for parts and assembly

2



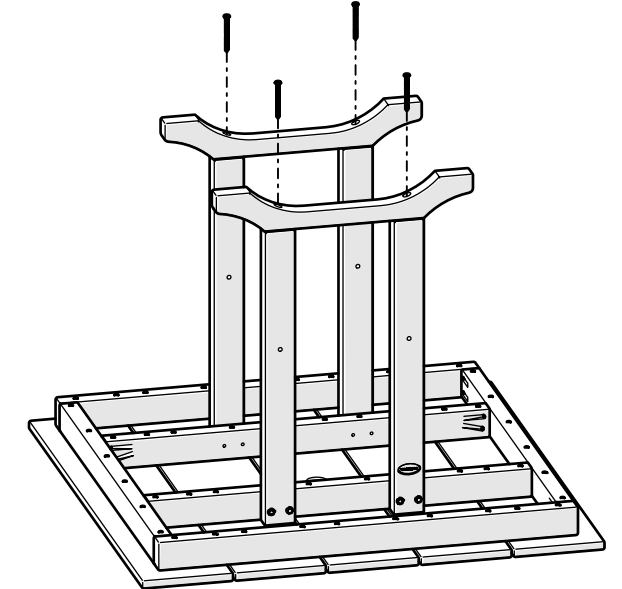
B x 4

Do not over-tighten



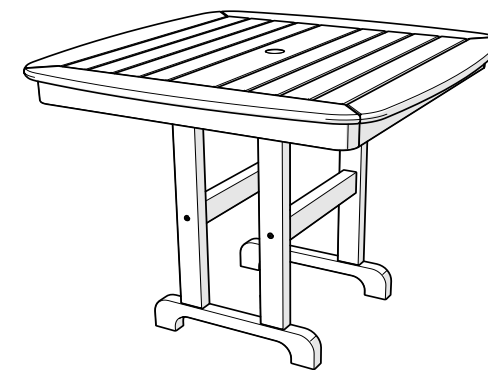
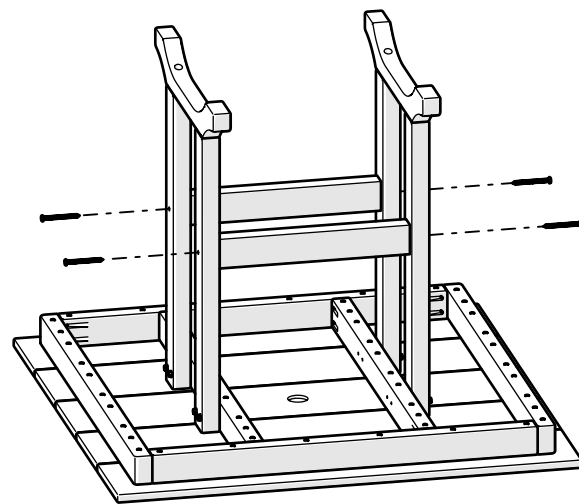
3

A x 4

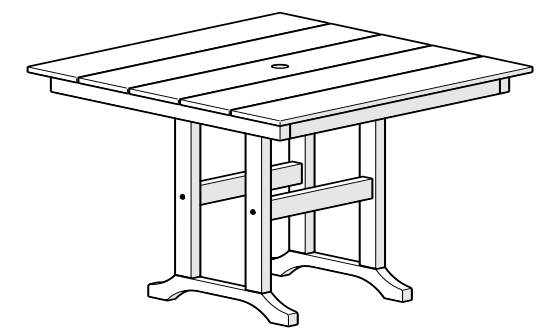


4

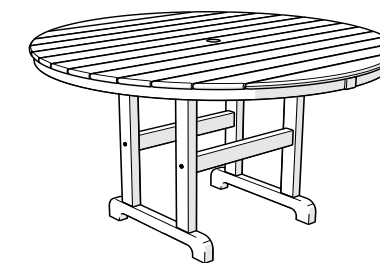
A x 4



TXNCT37, TXNCT44



TXFDT37



TXRT236, TXRT248