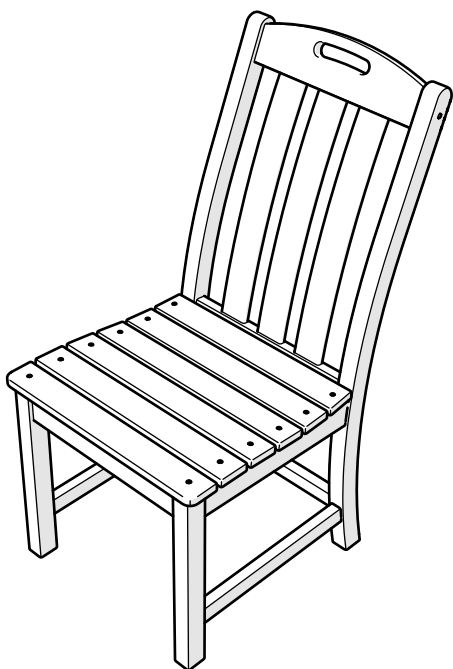




## Assembly Instructions



**NO ASSEMBLY REQUIRED**

# TXD130

## Yacht Club Dining Side Chair

[trexfurniture.com](http://trexfurniture.com)

12/14/2018

### ..... **20-Year Warranty** .....

To view our full warranty, please visit  
[trexfurniture.com/warranty](http://trexfurniture.com/warranty)

### ..... **Having Trouble?** .....

If you have questions or concerns regarding assembly instructions or missing parts, please contact us at **(877) 907-TREX (8739)** or email [support@trexfurniture.com](mailto:support@trexfurniture.com)

### ..... **Share your space** .....

We love to see where our furniture ends up — snap a pic and share it with us on Facebook!  
[facebook.com/trexfurniture](https://facebook.com/trexfurniture)

### ..... **Cleaning Tips** .....

Keep your Trex Outdoor Furniture looking brand new:

#### For a quick clean:

Simply wipe down with soap and water.

#### For a deeper clean:

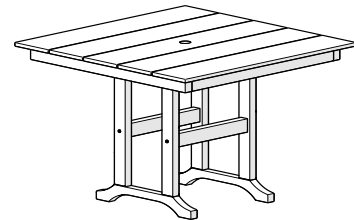
You'll need:

- » 1/3 bleach and 2/3 water solution
- » clean cloth
- » soft bristle brush

Wipe on solution with your cloth and let it sit on the lumber for a few minutes (this will not affect the color). Then, loosen any dirt and debris that may catch in surface grooves with a soft bristle brush; hose down to rinse.



## Assembly Instructions

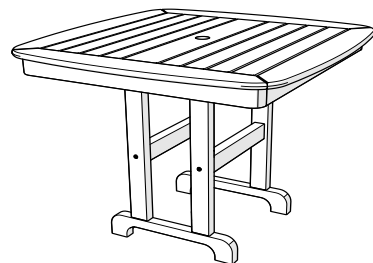


**TXFDT37**  
Monterey Bay 37\"/>



**TXRT236**  
Monterey Bay  
Round 36\"/>

**TXRT248**  
Monterey Bay  
Round 48\"/>



**TXNCT37 TXNCT44**  
Yacht Club 37\"/>

### ..... 20-Year Warranty .....

To view our full warranty, please visit  
[trexfurniture.com/warranty](http://trexfurniture.com/warranty)

### ..... Share your space .....

We love to see where our furniture  
ends up — snap a pic and share  
it with us on Facebook!  
[facebook.com/trexfurniture](https://facebook.com/trexfurniture)

### ..... Having Trouble? .....

If you have questions or concerns regarding  
assembly instructions or missing parts,  
please contact us at **(877) 907-TREX (8739)**  
or email [support@trexfurniture.com](mailto:support@trexfurniture.com)

### ..... Cleaning Tips .....

Keep your Trex Outdoor Furniture™  
looking brand new:

#### For a quick clean:

Simply wipe down with soap and water.

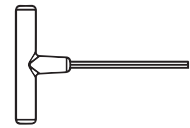
#### For a deeper clean:

You'll need:

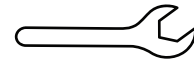
- » 1/3 bleach and 2/3 water solution
- » clean cloth
- » soft bristle brush

Wipe on solution with your cloth  
and let it sit on the lumber for a few  
minutes (this will not affect the color).  
Then, loosen any dirt and debris that  
may catch in surface grooves with a  
soft bristle brush; hose down to rinse.

## TOOLS

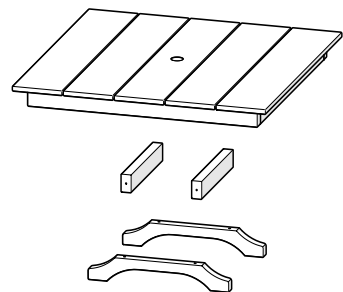


4mm T-handle  
hex key (included)

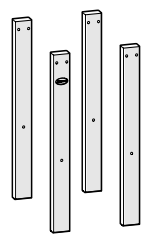


3/8" wrench  
(not included)

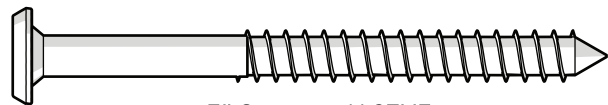
## PARTS



Separate box

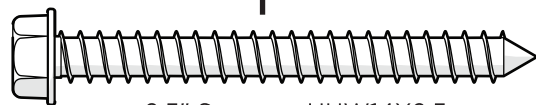


**A** x 8



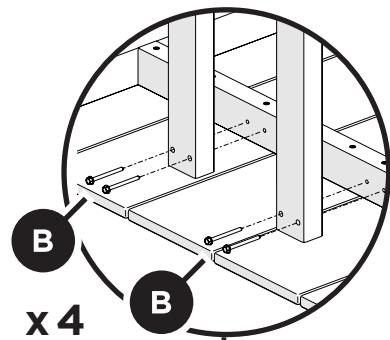
3" Screw — H.27X3

**B** x 8



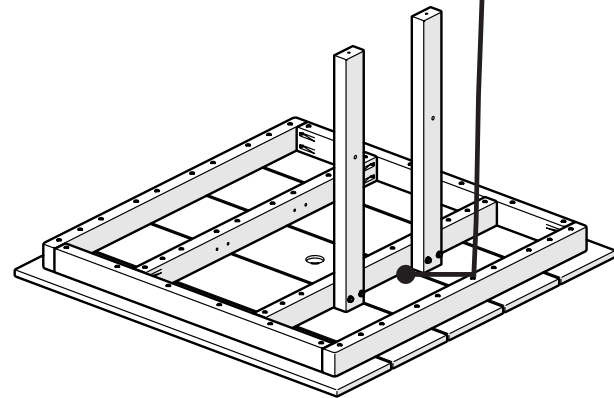
2.5" Screw — HHW14X2.5

1



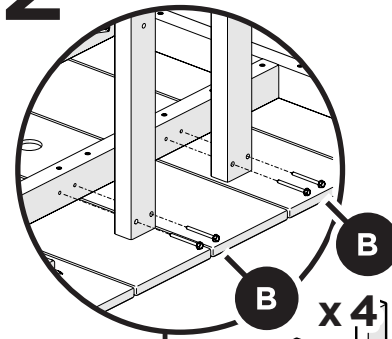
**B**  
x 4

Do not over-tighten



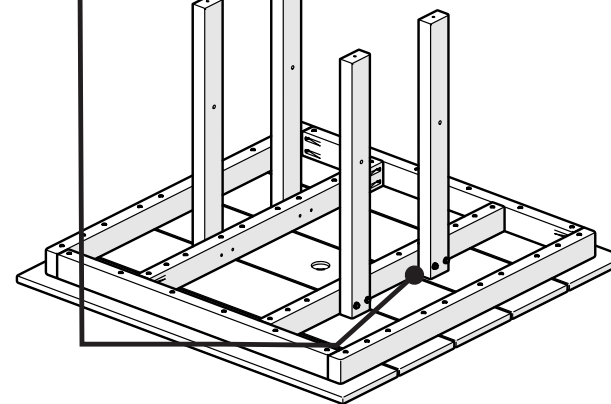
FDT37 shown for parts and assembly

2



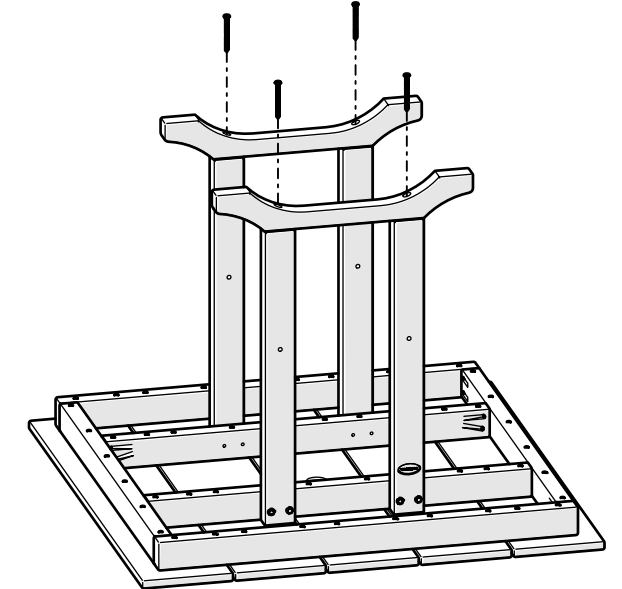
**B**  
x 4

Do not over-tighten



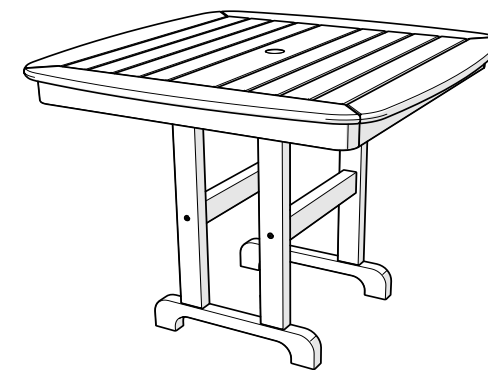
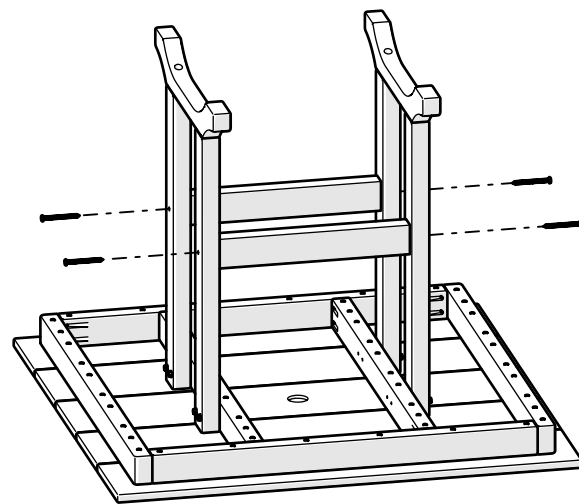
3

**A** x 4

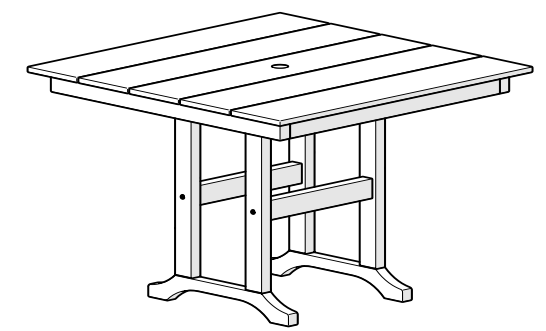


4

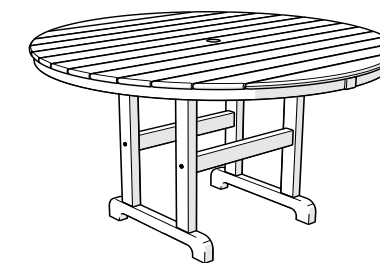
**A** x 4



TXNCT37, TXNCT44



TXFDT37



TXRT236, TXRT248