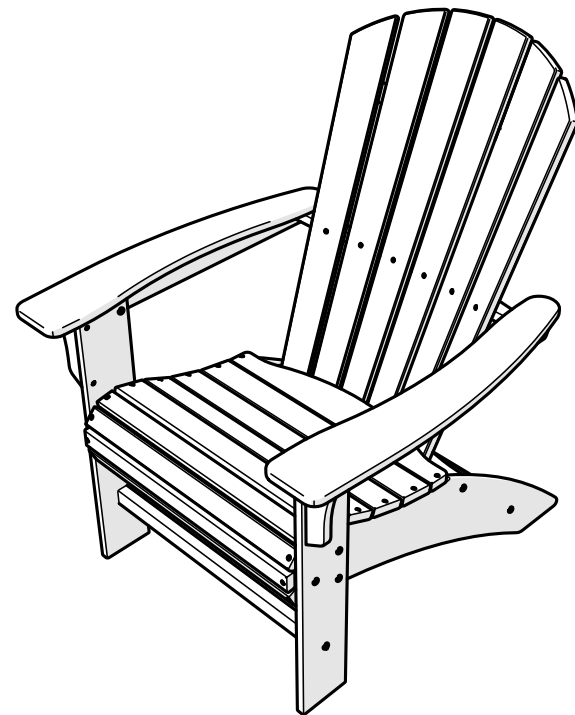




## Assembly Instructions



# TXAD610

## Yacht Club Curveback Adirondack Chair

### ..... **20-Year Warranty** .....

To view our full warranty, please visit  
[trexfurniture.com/warranty](http://trexfurniture.com/warranty)

### ..... **Share your space** .....

We love to see where our furniture  
ends up — snap a pic and share  
it with us on Facebook!  
[facebook.com/trexfurniture](https://facebook.com/trexfurniture)

### ..... **Having Trouble?** .....

If you have questions or concerns regarding  
assembly instructions or missing parts,  
please contact us at **(877) 907-TREX (8739)**  
or email [support@trexfurniture.com](mailto:support@trexfurniture.com)

### ..... **Cleaning Tips** .....

Keep your Trex Outdoor Furniture™  
looking brand new:

#### **For a quick clean:**

Simply wipe down with soap and water.

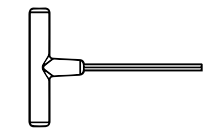
#### **For a deeper clean:**

You'll need:

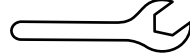
- » 1/3 bleach and 2/3 water solution
- » clean cloth
- » soft bristle brush

Wipe on solution with your cloth  
and let it sit on the lumber for a few  
minutes (this will not affect the color).  
Then, loosen any dirt and debris that  
may catch in surface grooves with a  
soft bristle brush; hose down to rinse.

# TOOLS

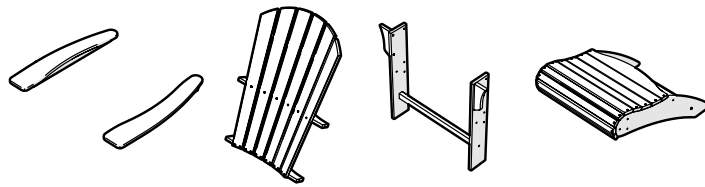


4mm T-handle hex key (included)



7/16" wrench (not included)

# PARTS



**A** x6



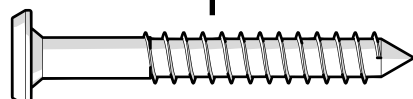
1.875" Bolt — H.25-20X1.875

**B** x2



2.25" Bolt — H.25-20X2.25

**C** x6



2" Screw — H.27X2



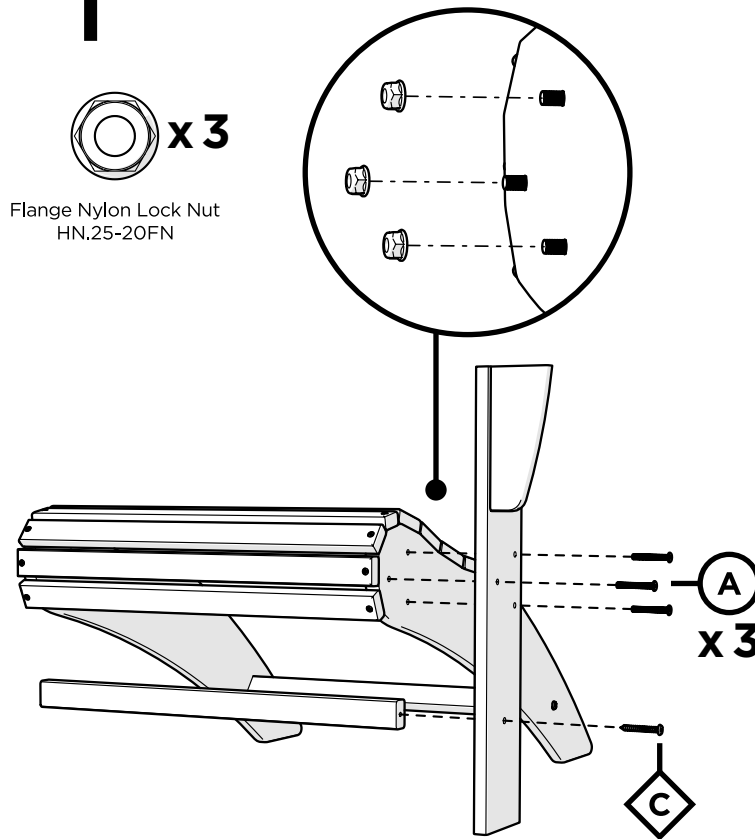
Flange Nylon Lock Nut  
HN.25-20FN

Something missing?  
Call (833) 665-6300

**1**



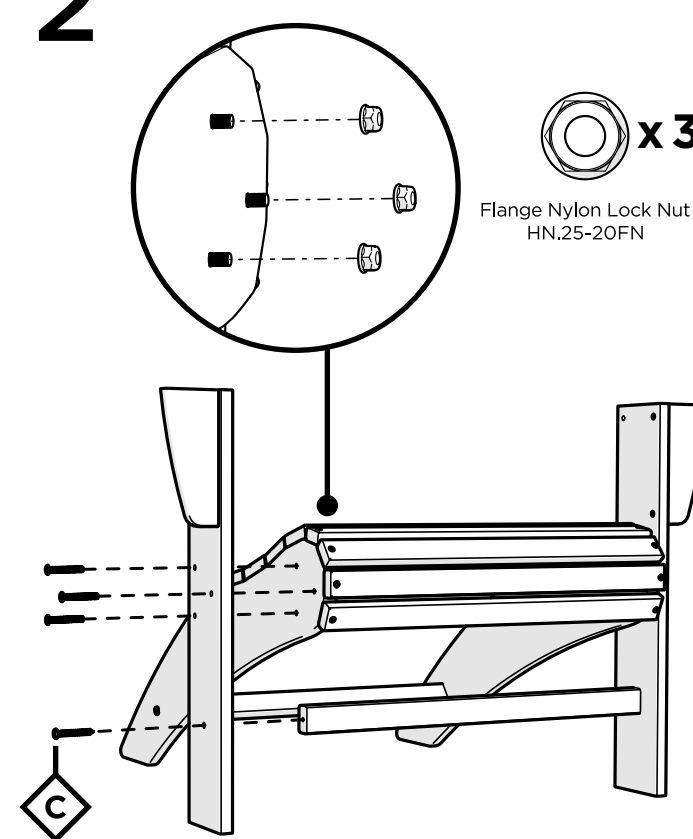
Flange Nylon Lock Nut  
HN.25-20FN



**2**



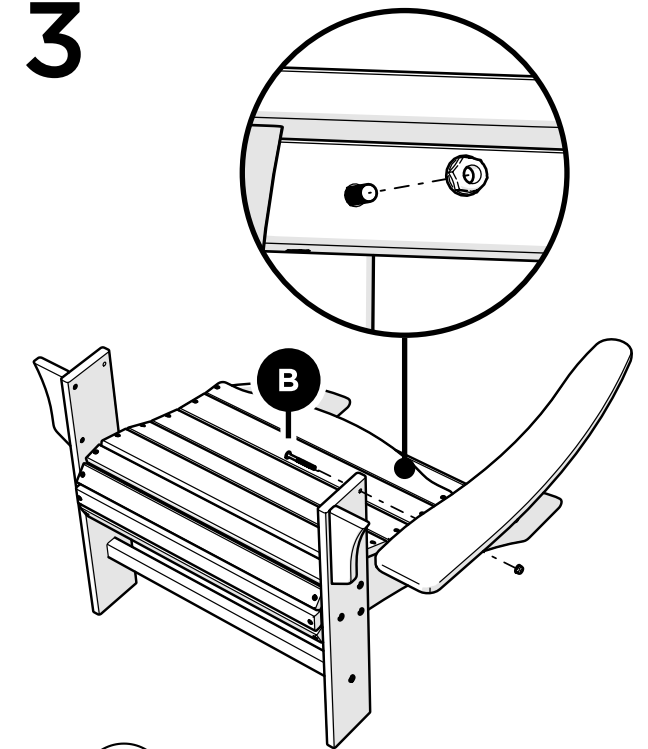
Flange Nylon Lock Nut  
HN.25-20FN



**3**



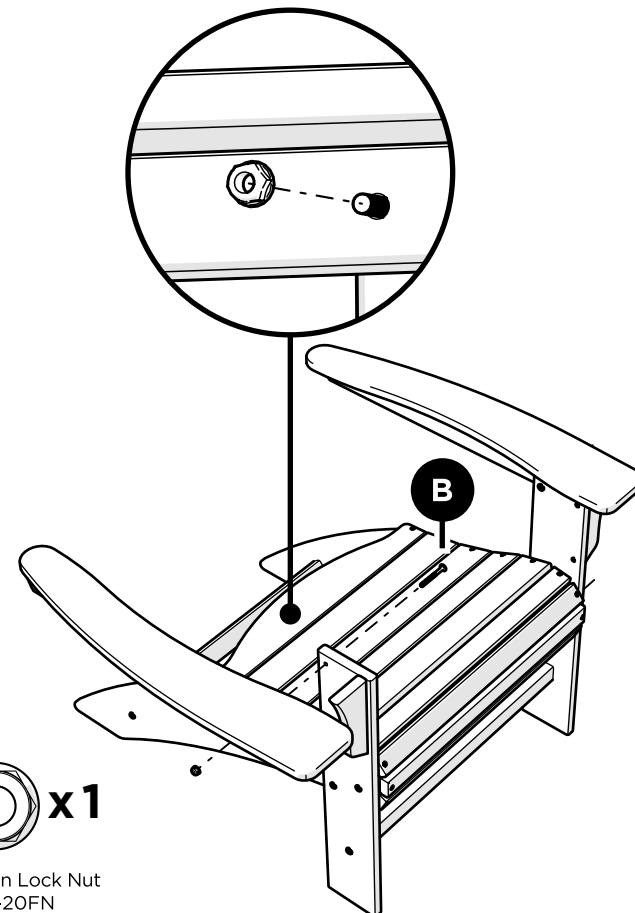
Flange Nylon Lock Nut  
HN.25-20FN



**4**



Flange Nylon Lock Nut  
HN.25-20FN



**5**

