



Assembly Instructions



**TXL1D85, TXL1R85,
TXL1B85
For Use With Large Plank
Table-PL85**

..... **20-Year Warranty**

To view our full warranty, please visit
trexfurniture.com/warranty

..... **Share your space**

We love to see where our furniture
ends up — snap a pic and share
it with us on Facebook!
[facebook.com/trexfurniture](https://www.facebook.com/trexfurniture)

..... **Having Trouble?**

If you have questions or concerns regarding
assembly instructions or missing parts,
please contact us at **(877) 907-TREX (8739)**
or email support@trexfurniture.com

..... **Cleaning Tips**

Keep your Trex Outdoor Furniture™
looking brand new:

For a quick clean:

Simply wipe down with soap and water.

For a deeper clean:

You'll need:

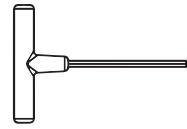
- » 1/3 bleach and 2/3 water solution
- » clean cloth
- » soft bristle brush

Wipe on solution with your cloth
and let it sit on the lumber for a few
minutes (this will not affect the color).
Then, loosen any dirt and debris that
may catch in surface grooves with a
soft bristle brush; hose down to rinse.

TOOLS

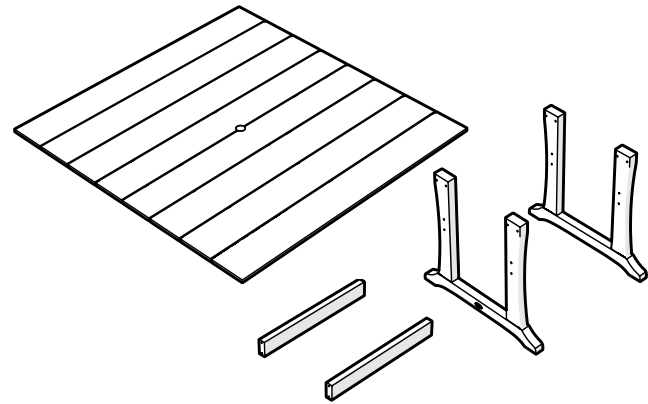


3/8" wrench
(not included)

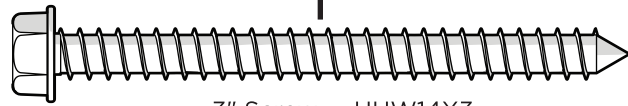


4mm T-handle
hex key (included)

PARTS

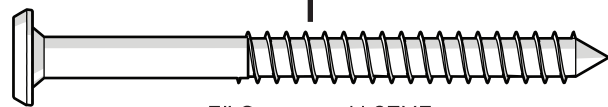


A x 8



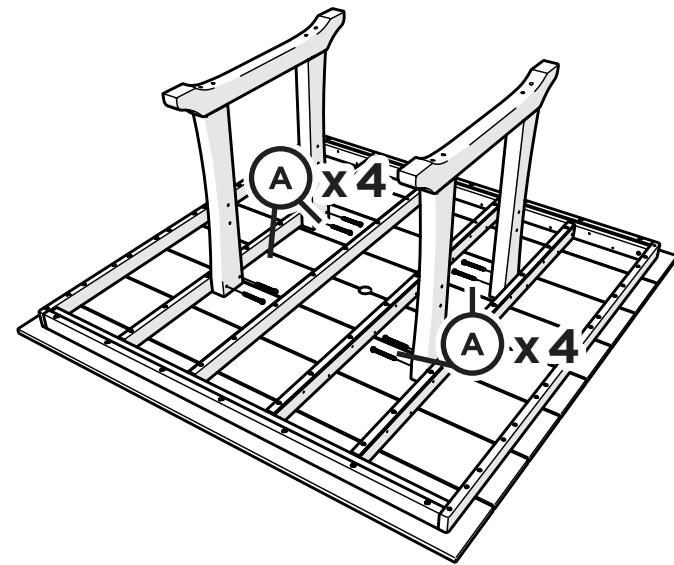
3" Screw — HHW14X3

B x 8

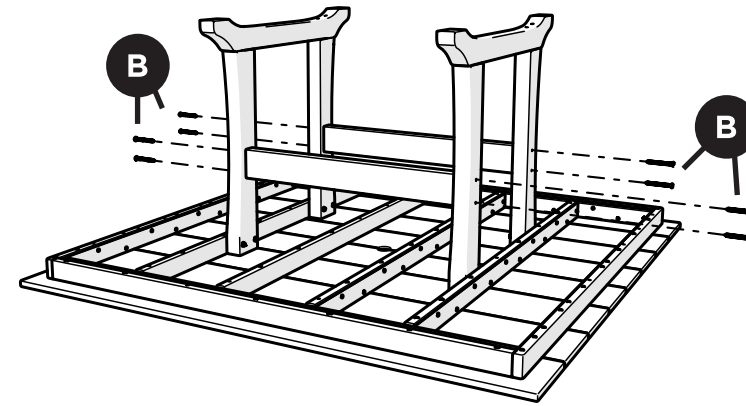


3" Screw — H.27X3

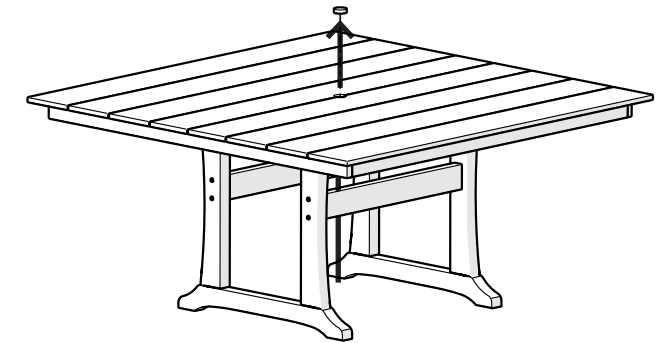
1



2

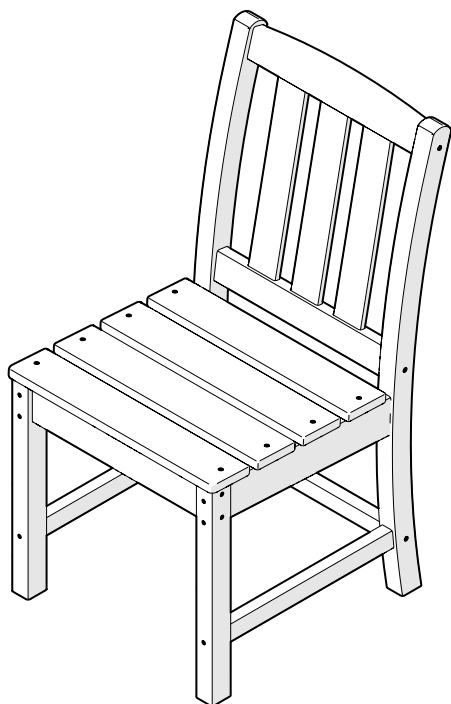


Removable
table plug





Assembly Instructions



NO ASSEMBLY REQUIRED

TXTLD130

Cape Cod Dining Side Chair

trefurniture.com

01/13/2023

..... **20-Year Warranty**

To view our full warranty, please visit trefurniture.com/warranty

..... **Having Trouble?**

If you have questions or concerns regarding assembly instructions or missing parts, please contact us at **(877) 907-TREX (8739)** or email support@trefurniture.com

..... **Share your space**

We love to see where our furniture ends up — snap a pic and share it with us on Facebook!
facebook.com/trefurniture

..... **Cleaning Tips**

Keep your Trex Outdoor Furniture looking brand new:

For a quick clean:

Simply wipe down with soap and water.

For a deeper clean:

You'll need:

- » 1/3 bleach and 2/3 water solution
- » clean cloth
- » soft bristle brush

Wipe on solution with your cloth and let it sit on the lumber for a few minutes (this will not affect the color). Then, loosen any dirt and debris that may catch in surface grooves with a soft bristle brush; hose down to rinse.