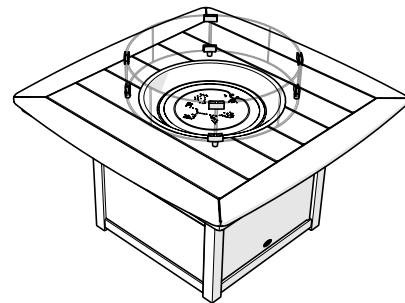
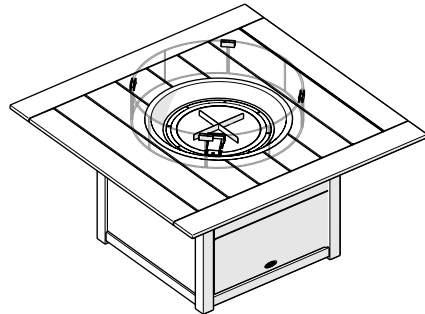




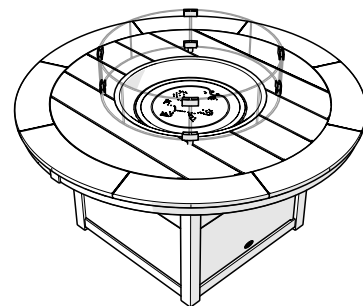
## Assembly Instructions



TXCTF42N



TXCTF42S



TXCTF48R

**TXCTF42N,  
TXCTF42S,  
TXCTF48R**

### ..... 20-Year Warranty .....

To view our full warranty, please visit  
[trexfurniture.com/warranty](http://trexfurniture.com/warranty)

### ..... Share your space .....

We love to see where our furniture  
ends up — snap a pic and share  
it with us on Facebook!  
[facebook.com/trexfurniture](https://facebook.com/trexfurniture)

### ..... Having Trouble? .....

If you have questions or concerns regarding  
assembly instructions or missing parts,  
please contact us at **(877) 907-TREX (8739)**  
or email [support@trexfurniture.com](mailto:support@trexfurniture.com)

### ..... Cleaning Tips .....

Keep your Trex Outdoor Furniture™  
looking brand new:

#### **For a quick clean:**

Simply wipe down with soap and water.

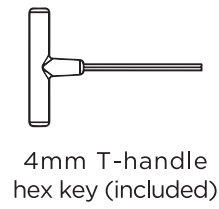
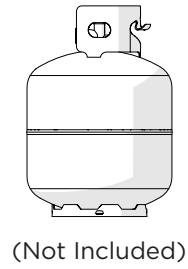
#### **For a deeper clean:**

You'll need:

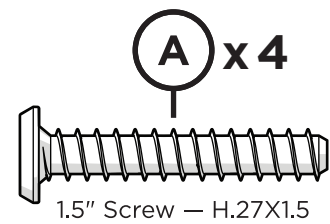
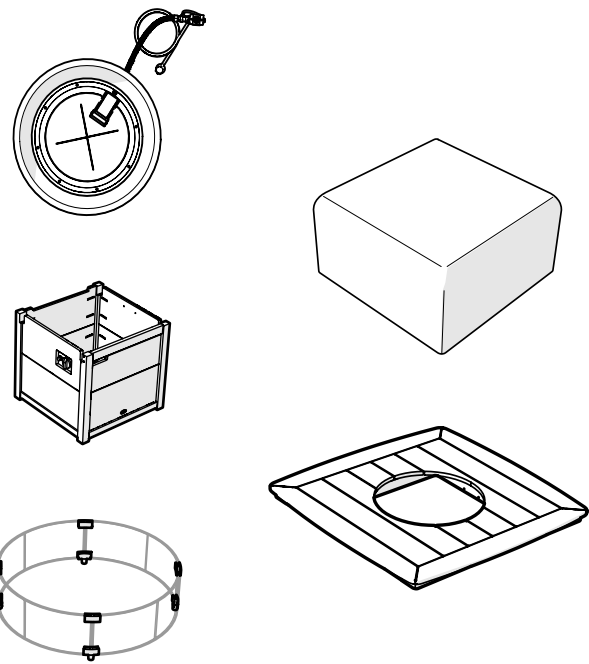
- » 1/3 bleach and 2/3 water solution
- » clean cloth
- » soft bristle brush

Wipe on solution with your cloth  
and let it sit on the lumber for a few  
minutes (this will not affect the color).  
Then, loosen any dirt and debris that  
may catch in surface grooves with a  
soft bristle brush; hose down to rinse.

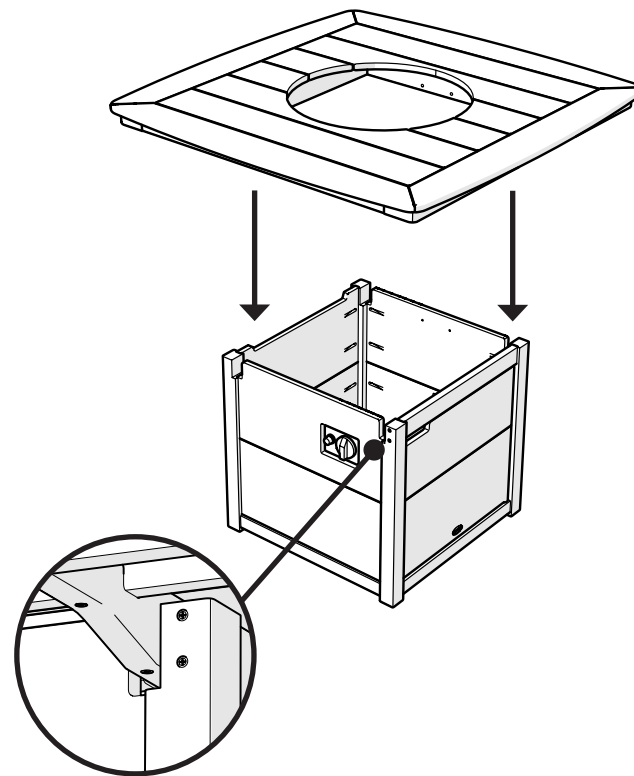
## TOOLS



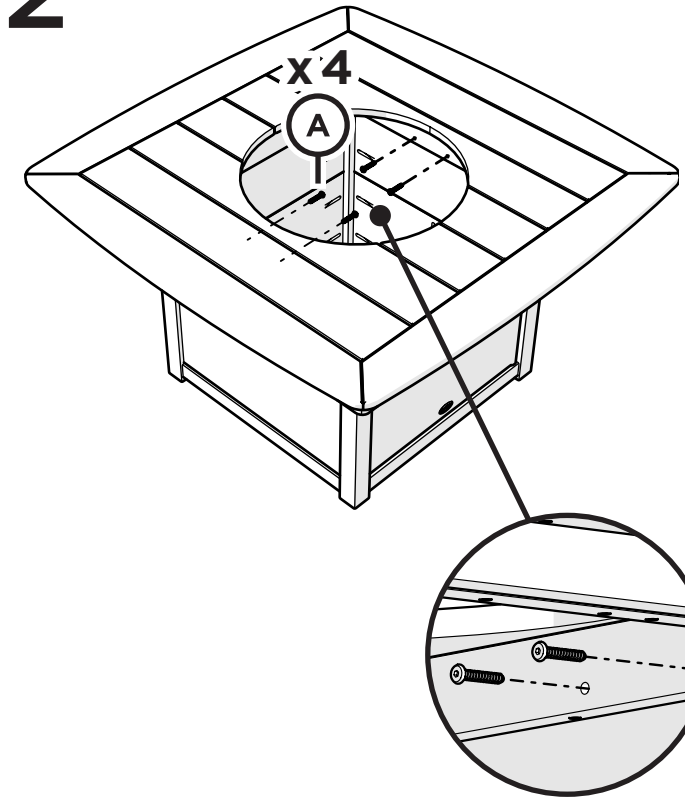
## PARTS



**1** **Note:** Line up top screw holes with base screw holes

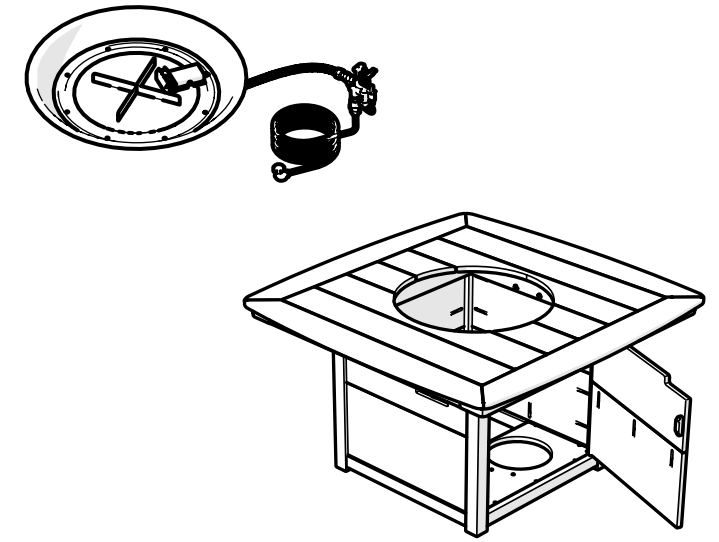


**2**

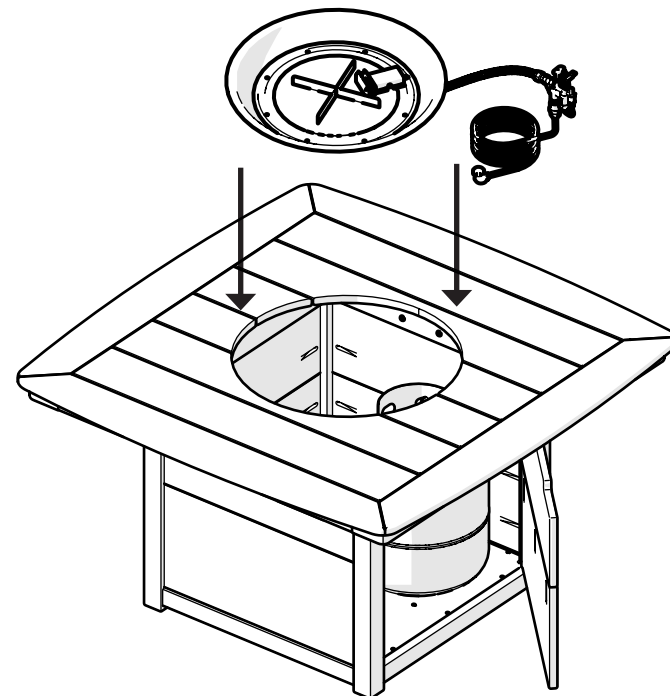


**3**

See Crystal Fire Plus manual for burner installation



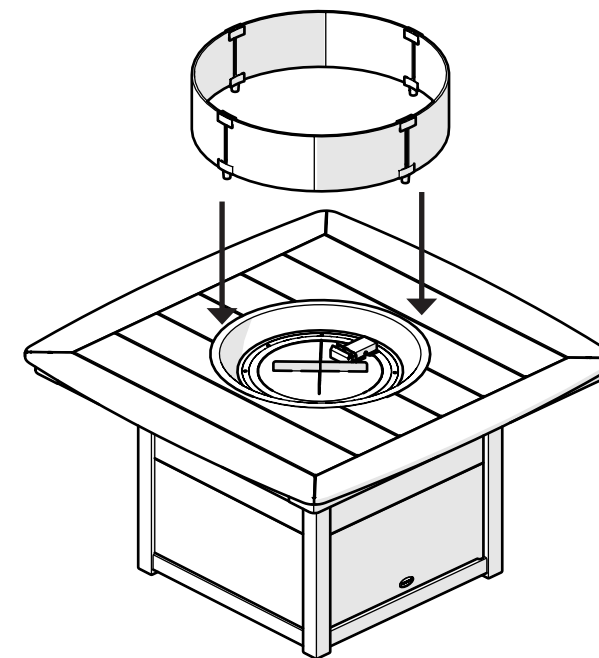
**4**



**5**

See Glass Guard-20-R manual for assembly instructions

**Important!**  
Glass Guard Required



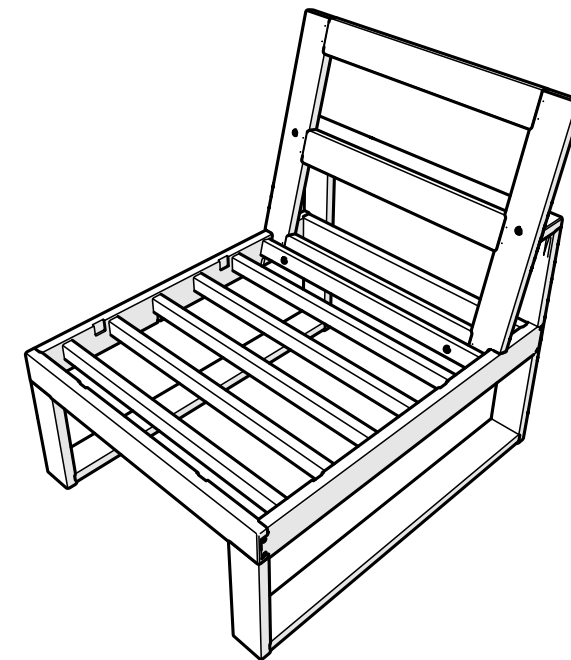
Protect with included cover when not in use. Before covering, allow sufficient time for the unit to cool after use.



When turning off the gas, wait until bowl has cooled down and tilt propane tank forward.

# EDGE Modular Armless Chair

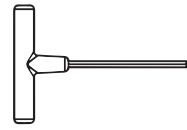
Assembly Instructions



**4601CX**

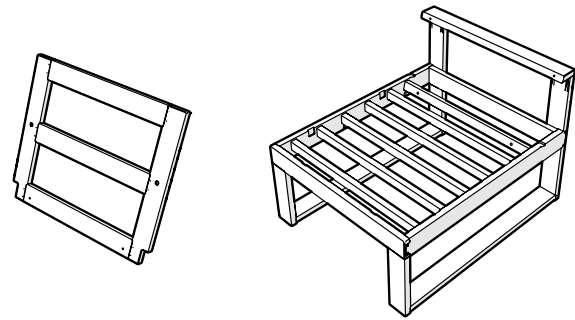
02/22/2022

# TOOLS

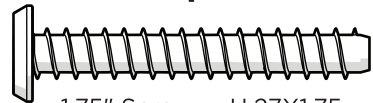


4mm T-handle hex key (included)

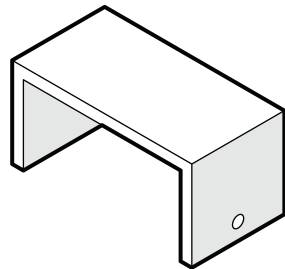
# PARTS



**A** x 4



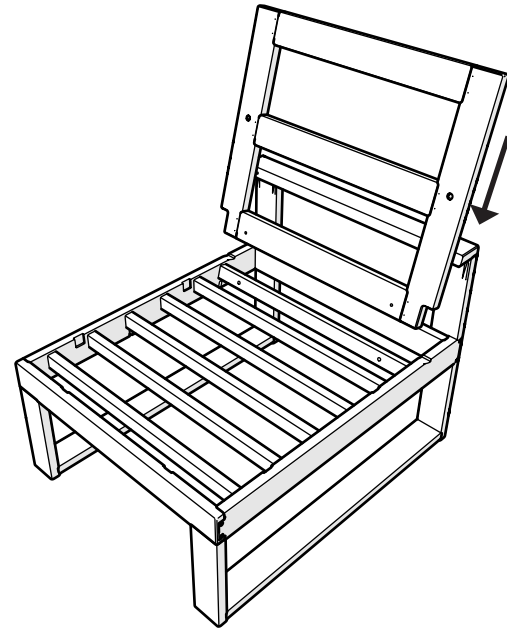
1.75" Screw — H.27X1.75



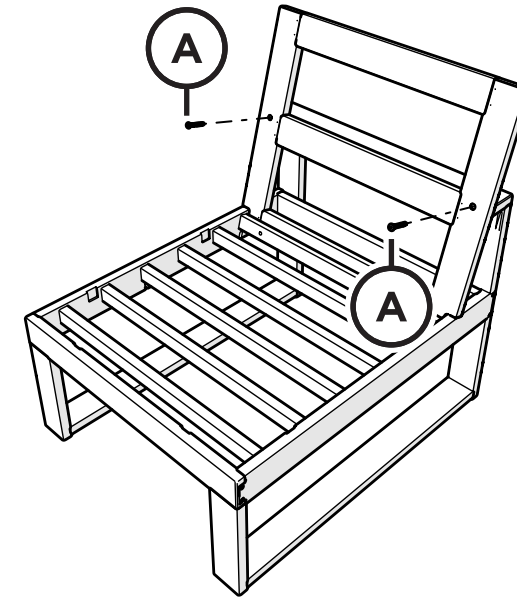
**x 2**

Bracket — P13275-XX

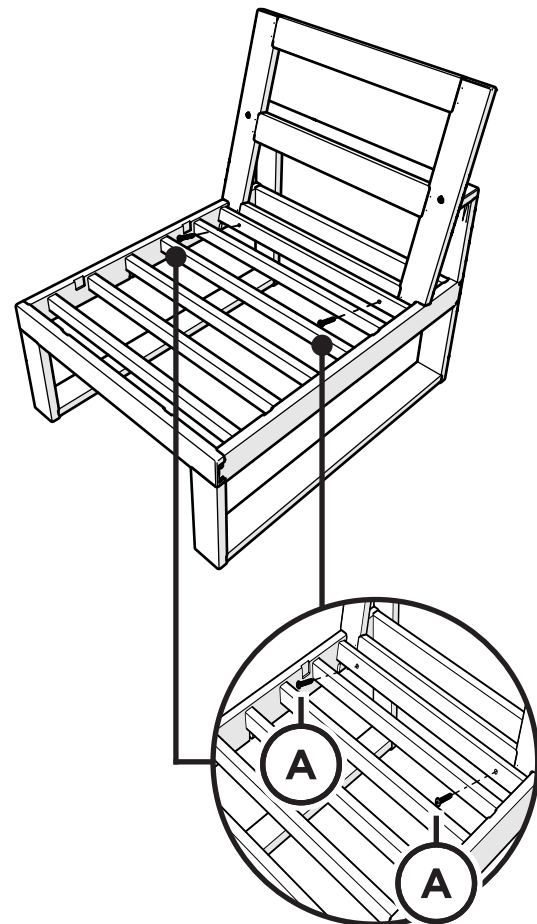
**1**



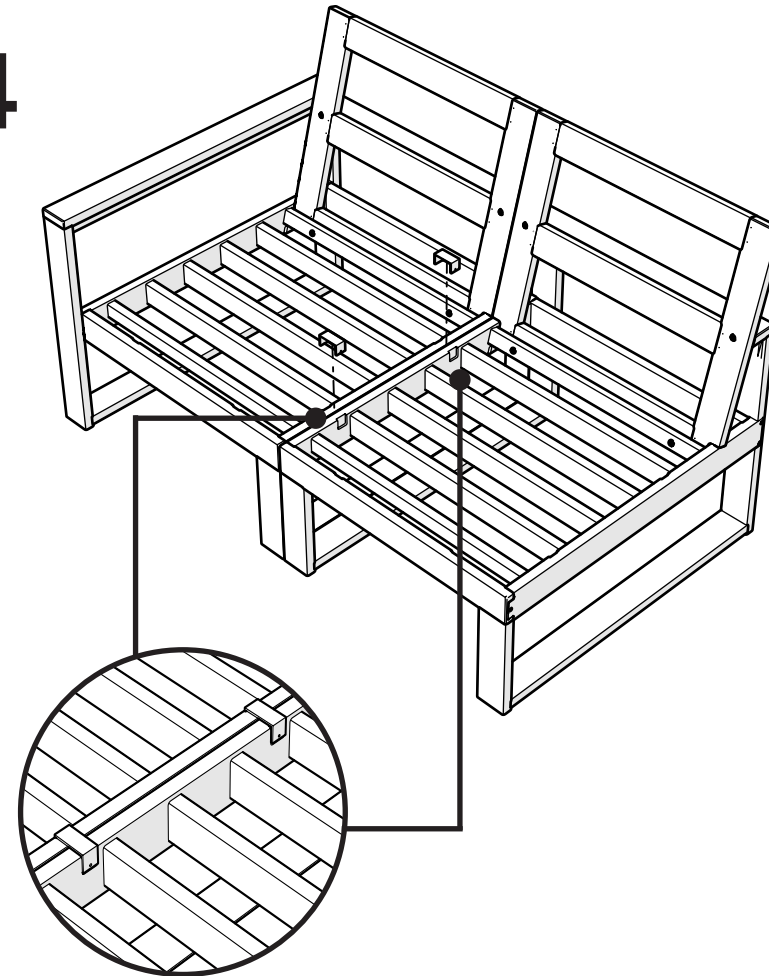
**2**



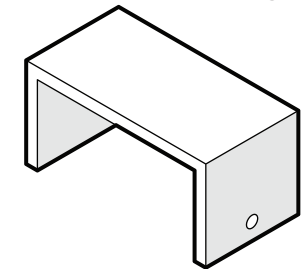
**3**



**4**



Brackets can be used to connect furniture together



**x 2**

Bracket — P13275-XX