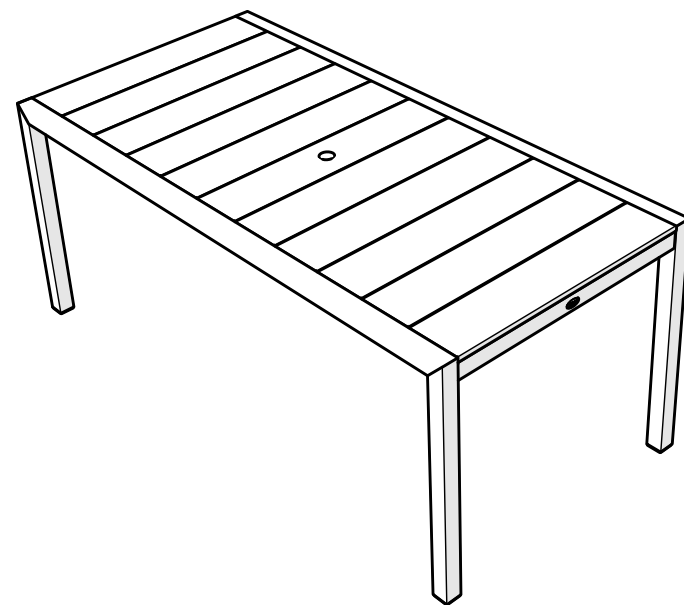




Assembly Instructions



**TX8310, TX8311,
TX8312, TX8315**
Surf City 36"X73" Table

..... **20-Year Warranty**

To view our full warranty, please visit
trexfurniture.com/warranty

..... **Share your space**

We love to see where our furniture
ends up — snap a pic and share
it with us on Facebook!
[facebook.com/trexfurniture](https://www.facebook.com/trexfurniture)

..... **Having Trouble?**

If you have questions or concerns regarding
assembly instructions or missing parts,
please contact us at (877) 907-TREX (8739)
or email support@trexfurniture.com

..... **Cleaning Tips**

Keep your Trex Outdoor Furniture™
looking brand new:

For a quick clean:

Simply wipe down with soap and water.

For a deeper clean:

You'll need:

- » 1/3 bleach and 2/3 water solution
- » clean cloth
- » soft bristle brush

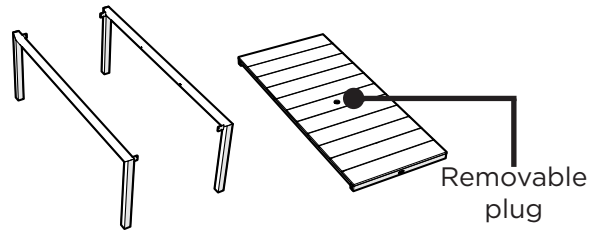
Wipe on solution with your cloth
and let it sit on the lumber for a few
minutes (this will not affect the color).
Then, loosen any dirt and debris that
may catch in surface grooves with a
soft bristle brush; hose down to rinse.

TOOLS

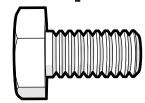


7/16" wrench
(not included)

PARTS

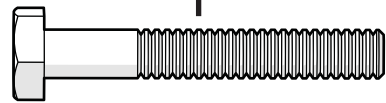


A x12



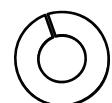
.5" Bolt — HHC.25-20X.5

B x4



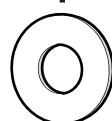
1.75" Bolt — HHC.25-20X1.75

C x16



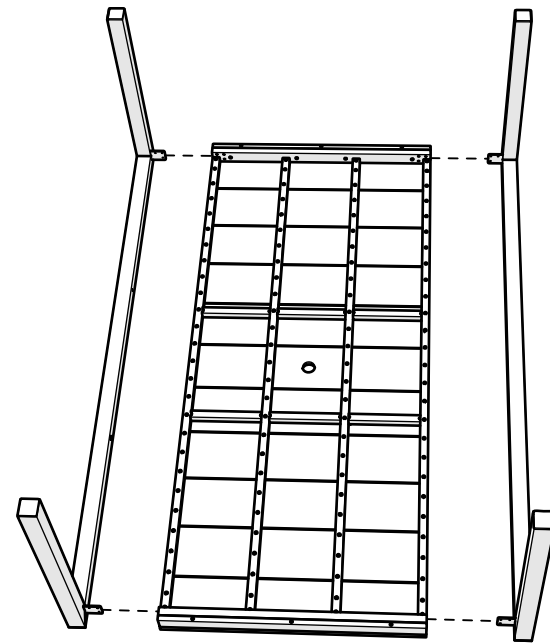
Spring Lock Washer
HW.25SL

D x4

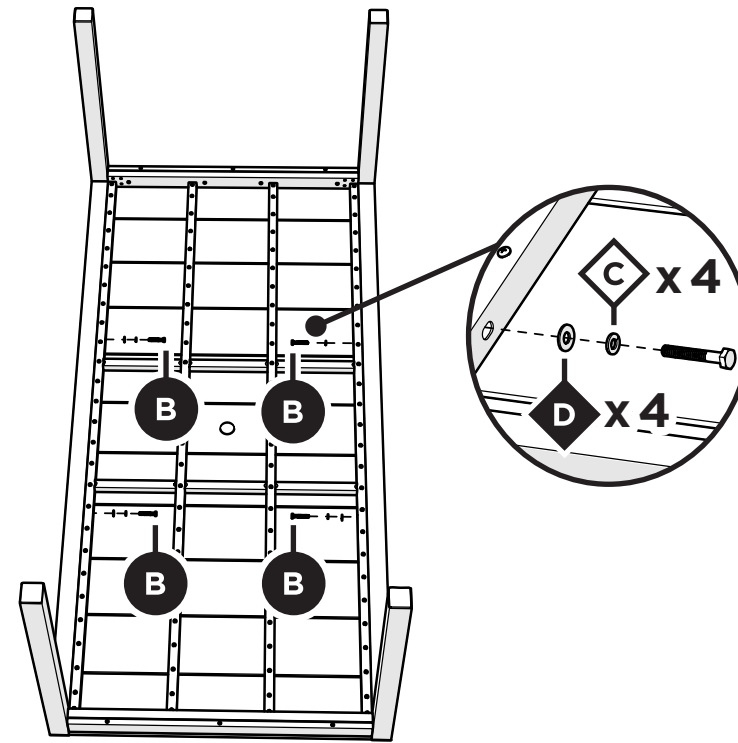


Washer

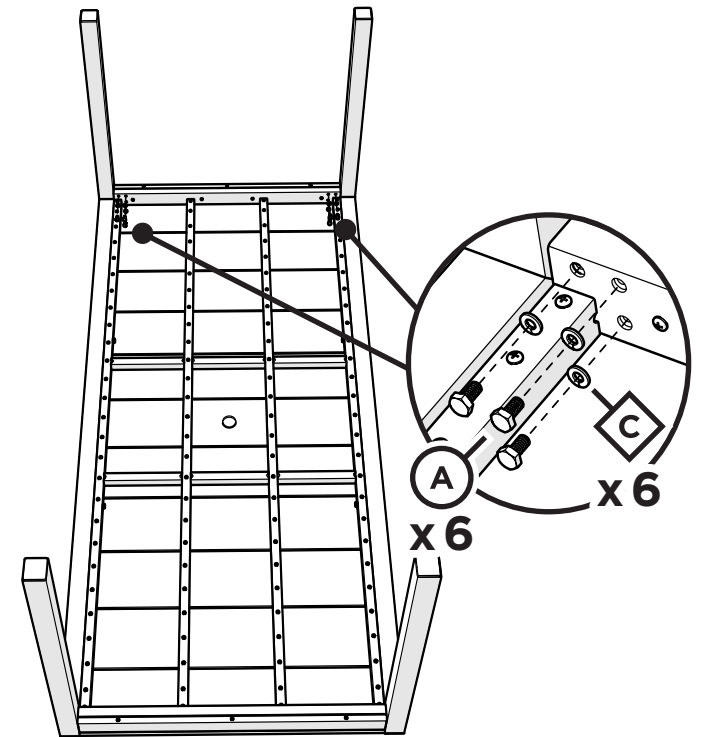
1



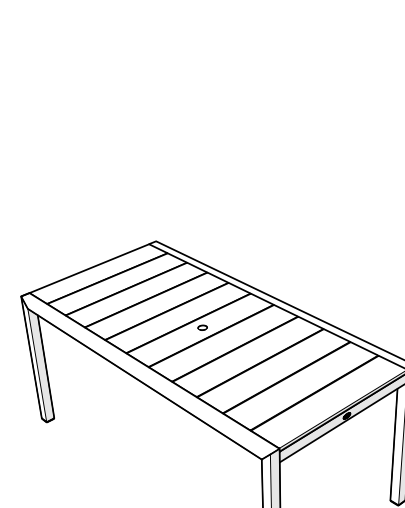
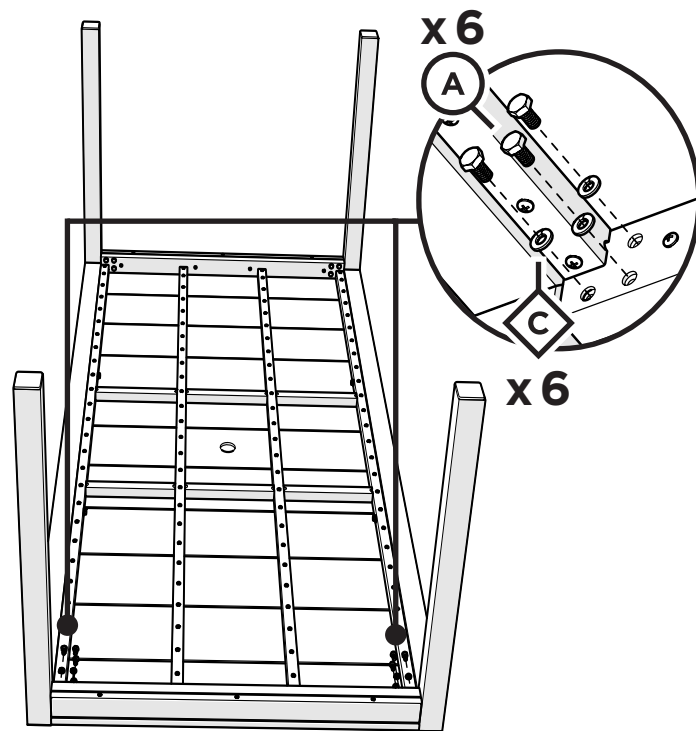
2



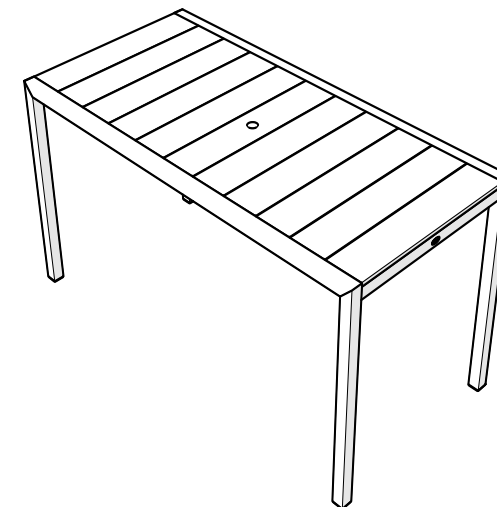
3



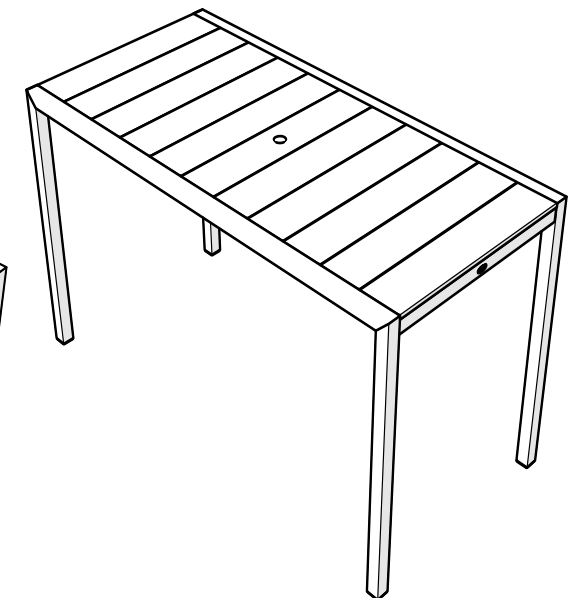
4



TX8310



TX8311



TX8312

TX8315 (no umb)