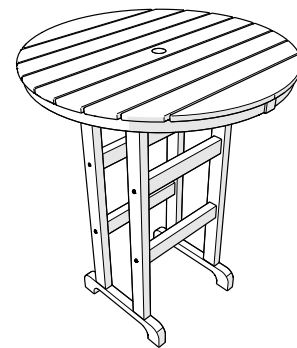




Assembly Instructions

TXLB36 Leg Kit



TXRBT236
Monterey Bay
Round 36"
Bar Table



TXNCBT37
Yacht Club 37"
Bar Table

..... 20-Year Warranty

To view our full warranty, please visit
trexfurniture.com/warranty

..... Share your space

We love to see where our furniture
ends up — snap a pic and share
it with us on Facebook!
facebook.com/trexfurniture

..... Having Trouble?

If you have questions or concerns regarding
assembly instructions or missing parts,
please contact us at **(877) 907-TREX (8739)**
or email support@trexfurniture.com

..... Cleaning Tips

Keep your Trex Outdoor Furniture™
looking brand new:

For a quick clean:

Simply wipe down with soap and water.

For a deeper clean:

You'll need:

- » 1/3 bleach and 2/3 water solution
- » clean cloth
- » soft bristle brush

Wipe on solution with your cloth
and let it sit on the lumber for a few
minutes (this will not affect the color).
Then, loosen any dirt and debris that
may catch in surface grooves with a
soft bristle brush; hose down to rinse.

TOOLS

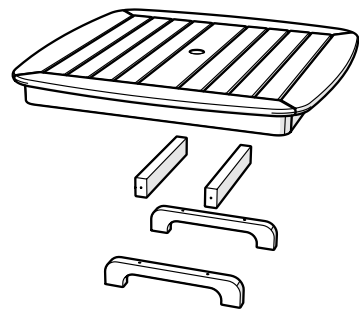


4mm T-handle
hex key (included)

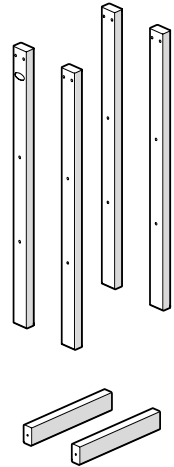


3/8" wrench
(not included)

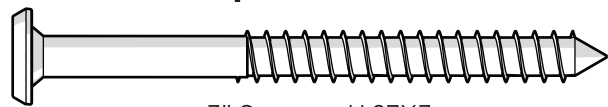
PARTS



Separate box

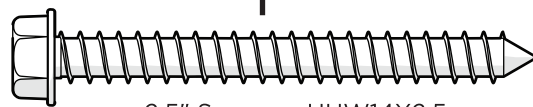


A x12



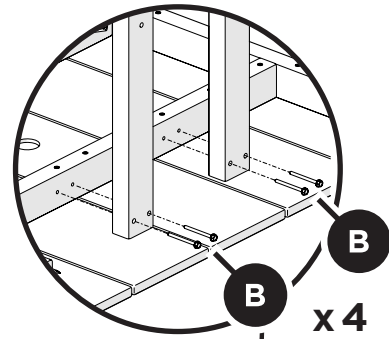
3" Screw — H.27X3

B x8

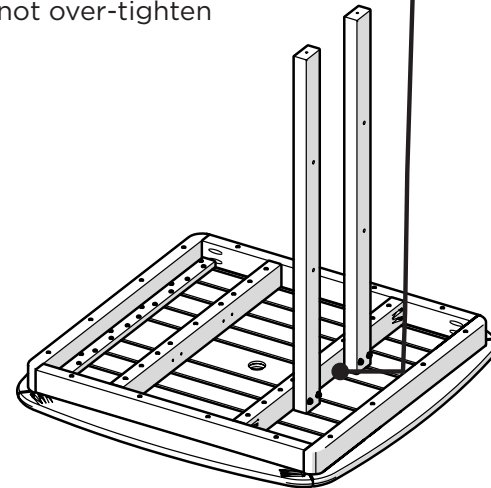


2.5" Screw — HHW14X2.5

1

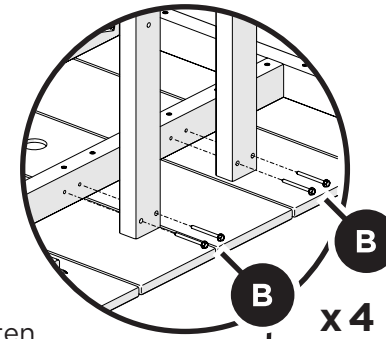


Do not over-tighten

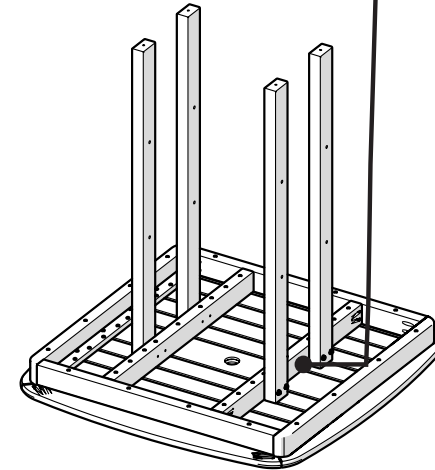


TXNCBT37 shown for parts and assembly.

2

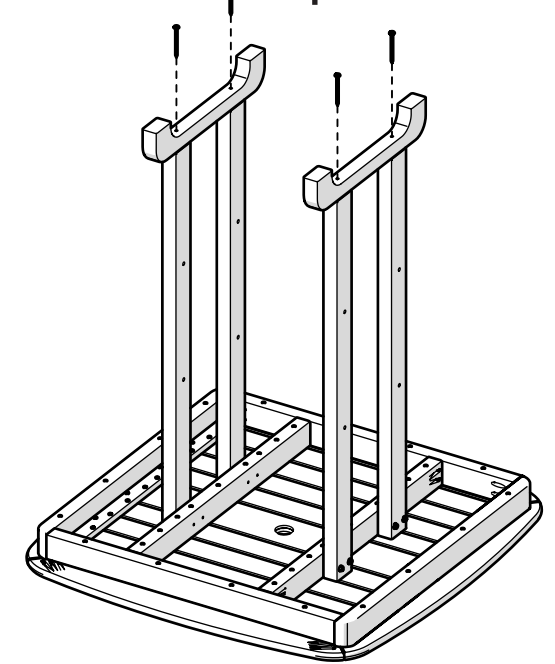


Do not over-tighten



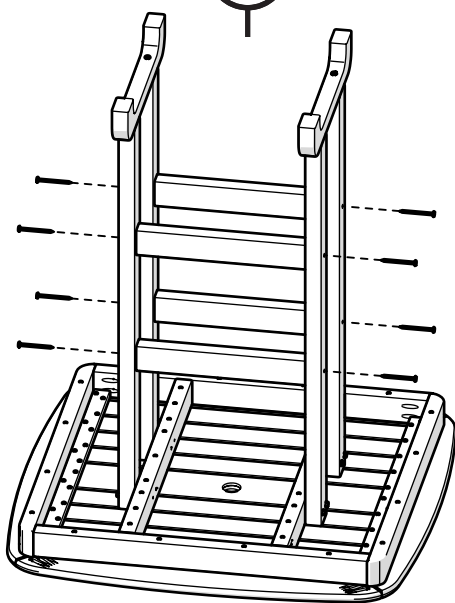
3

A x4

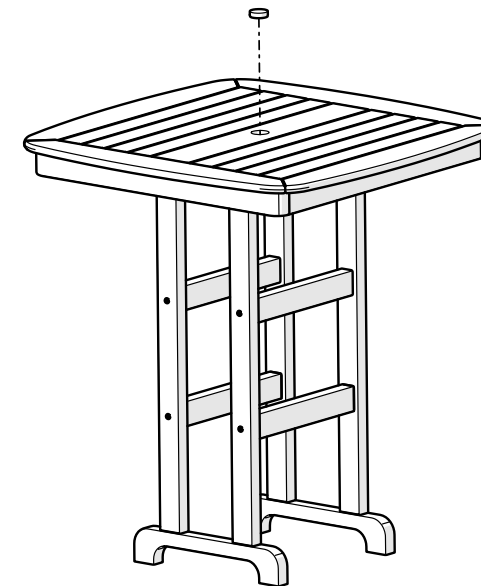


4

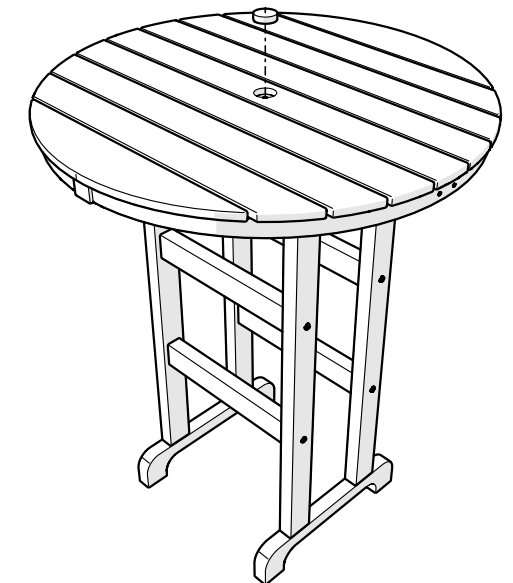
A x8



Removable table
plug included.



TXNCBT37



TXRBT236



Remove protective plastic
film from the logo medallion.