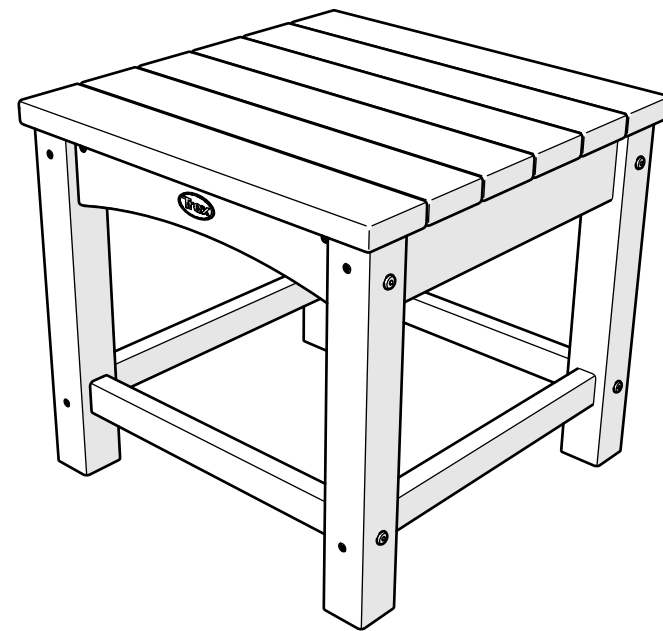




Assembly Instructions



TXT1818

Rockport Club 18'' Side Table

..... 20-Year Warranty

To view our full warranty, please visit
trexfurniture.com/warranty

..... Share your space

We love to see where our furniture
ends up — snap a pic and share
it with us on Facebook!
[facebook.com/trexfurniture](https://www.facebook.com/trexfurniture)

..... Having Trouble?

If you have questions or concerns regarding
assembly instructions or missing parts,
please contact us at (877) 907-TREX (8739)
or email support@trexfurniture.com

..... Cleaning Tips

Keep your Trex Outdoor Furniture™
looking brand new:

For a quick clean:

Simply wipe down with soap and water.

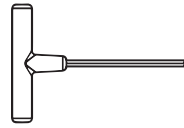
For a deeper clean:

You'll need:

- » 1/3 bleach and 2/3 water solution
- » clean cloth
- » soft bristle brush

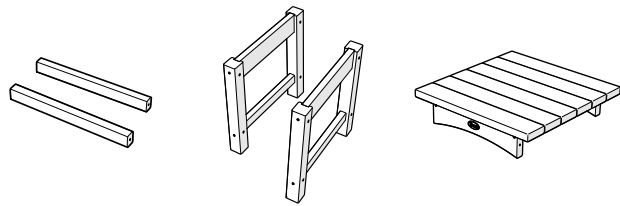
Wipe on solution with your cloth
and let it sit on the lumber for a few
minutes (this will not affect the color).
Then, loosen any dirt and debris that
may catch in surface grooves with a
soft bristle brush; hose down to rinse.

TOOLS

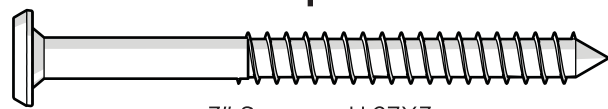


4mm T-handle
hex key (included)

PARTS

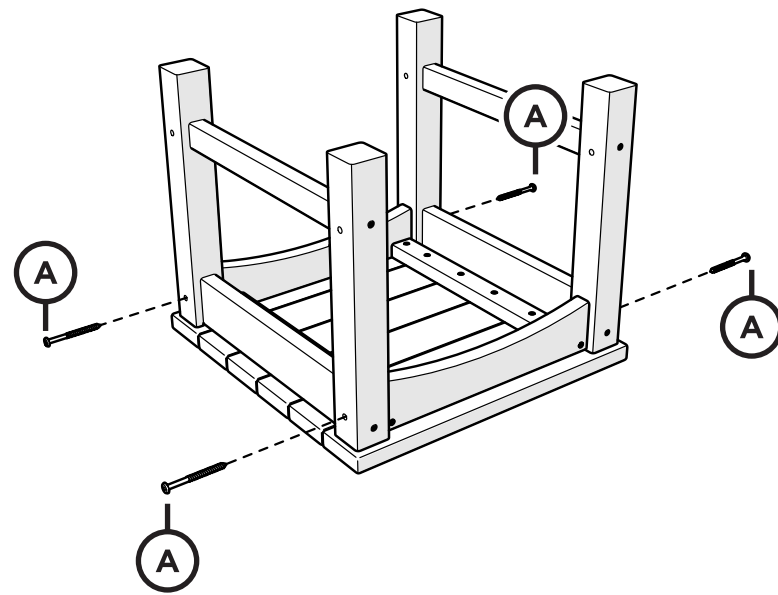


A x8

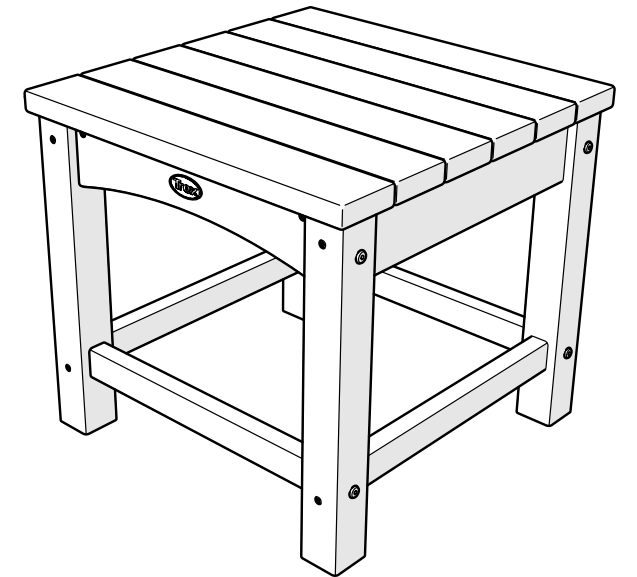
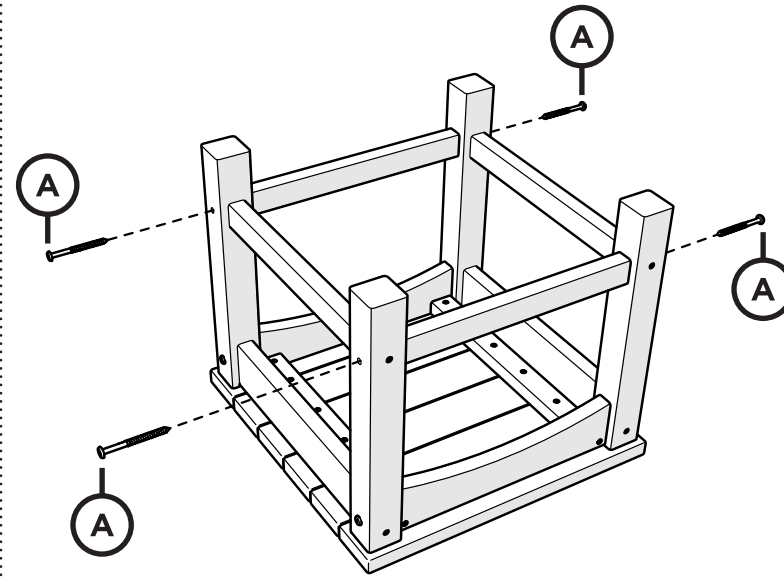


3" Screw — H.27X3

1

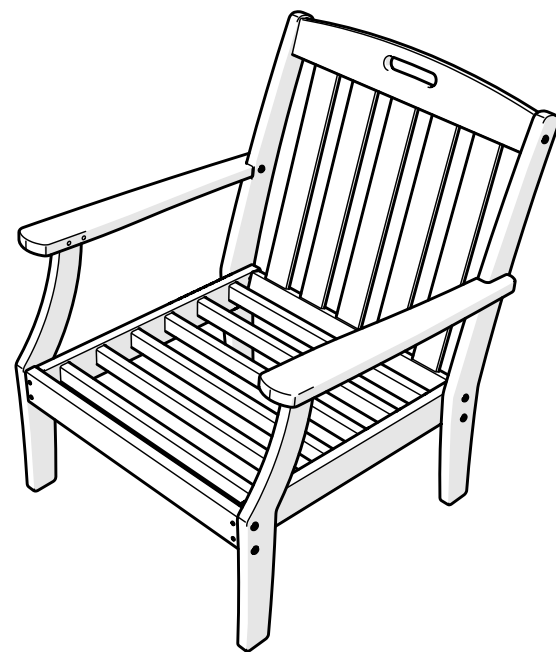


2





Assembly Instructions



TX4511X

Yacht Club Deep Seating Chair

..... 20-Year Warranty

To view our full warranty, please visit
trexfurniture.com/warranty

..... Share your space

We love to see where our furniture ends up — snap a pic and share it with us on Facebook!
facebook.com/trexfurniture

..... Having Trouble?

If you have questions or concerns regarding assembly instructions or missing parts, please contact us at **(877) 907-TREX (8739)** or email support@trexfurniture.com

..... Cleaning Tips

Keep your Trex Outdoor Furniture™ looking brand new:

For a quick clean:

Simply wipe down with soap and water.

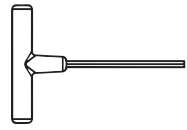
For a deeper clean:

You'll need:

- » 1/3 bleach and 2/3 water solution
- » clean cloth
- » soft bristle brush

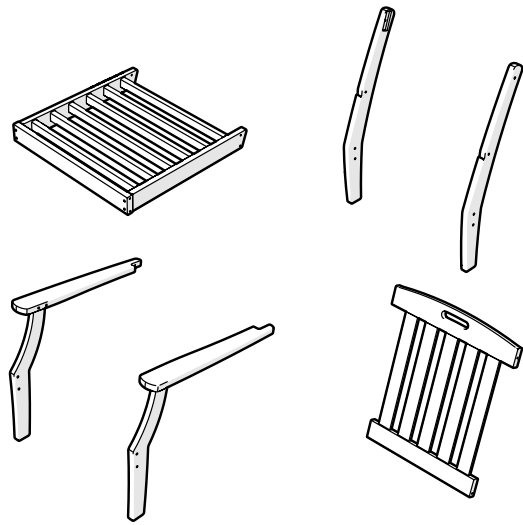
Wipe on solution with your cloth and let it sit on the lumber for a few minutes (this will not affect the color). Then, loosen any dirt and debris that may catch in surface grooves with a soft bristle brush; hose down to rinse.

TOOLS

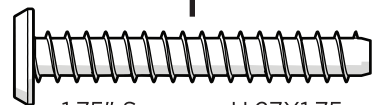


4mm T-handle hex key (included)

PARTS

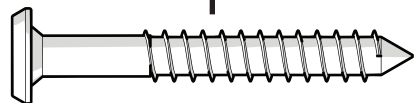


A x4



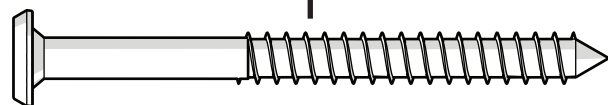
1.75" Screw — H.27X1.75

B x6



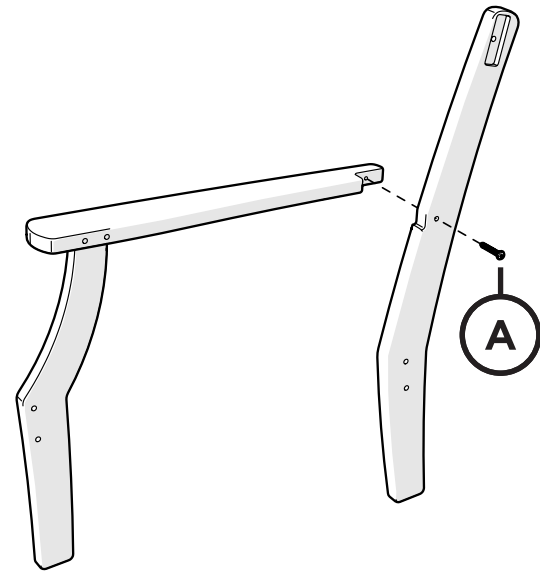
2" Screw — H.27X2

C x2



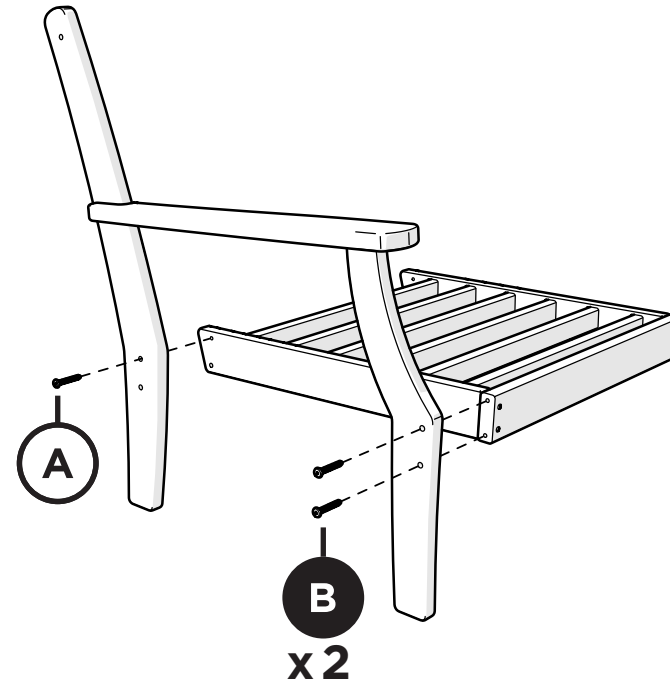
3" Screw — H.27X3

1

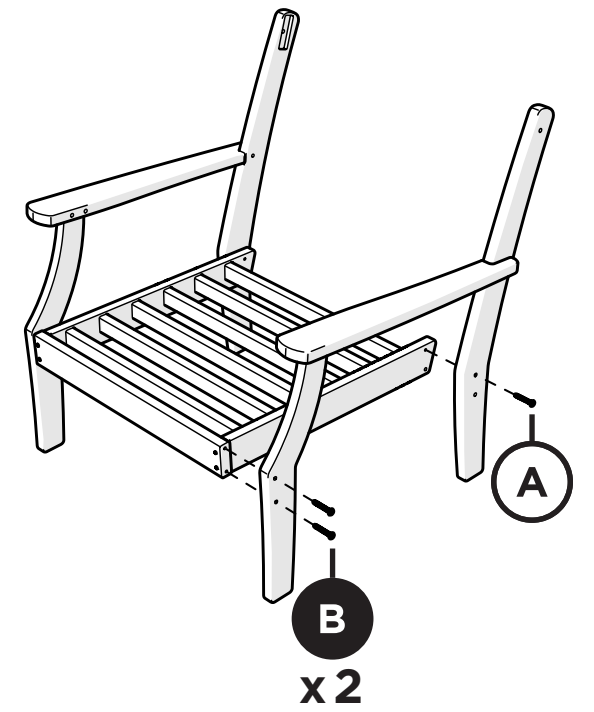


Repeat on opposite side

2



3



4

