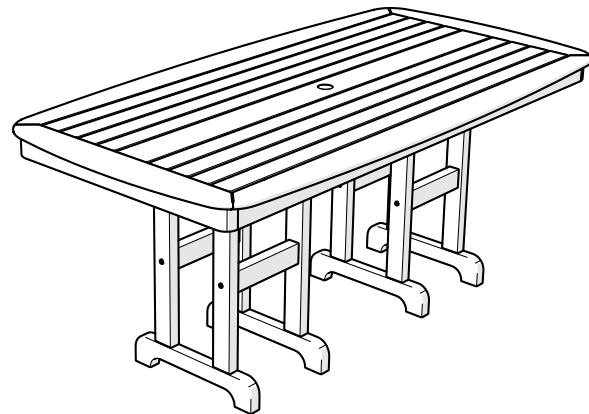




## Assembly Instructions



**TXFDT3772**  
**Monterey Bay 37" X 72"**  
**Dining Table**



**TXNCT3772**  
**Yacht Club 37" X 72"**  
**Dining Table**

### ..... **20-Year Warranty** .....

To view our full warranty, please visit  
[trexfurniture.com/warranty](http://trexfurniture.com/warranty)

### ..... **Share your space** .....

We love to see where our furniture  
ends up — snap a pic and share  
it with us on Facebook!  
[facebook.com/trexfurniture](https://facebook.com/trexfurniture)

### ..... **Having Trouble?** .....

If you have questions or concerns regarding  
assembly instructions or missing parts,  
please contact us at **(877) 907-TREX (8739)**  
or email [support@trexfurniture.com](mailto:support@trexfurniture.com)

### ..... **Cleaning Tips** .....

Keep your Trex Outdoor Furniture™  
looking brand new:

#### **For a quick clean:**

Simply wipe down with soap and water.

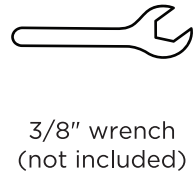
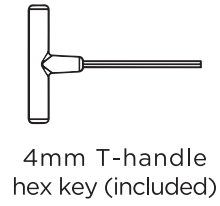
#### **For a deeper clean:**

You'll need:

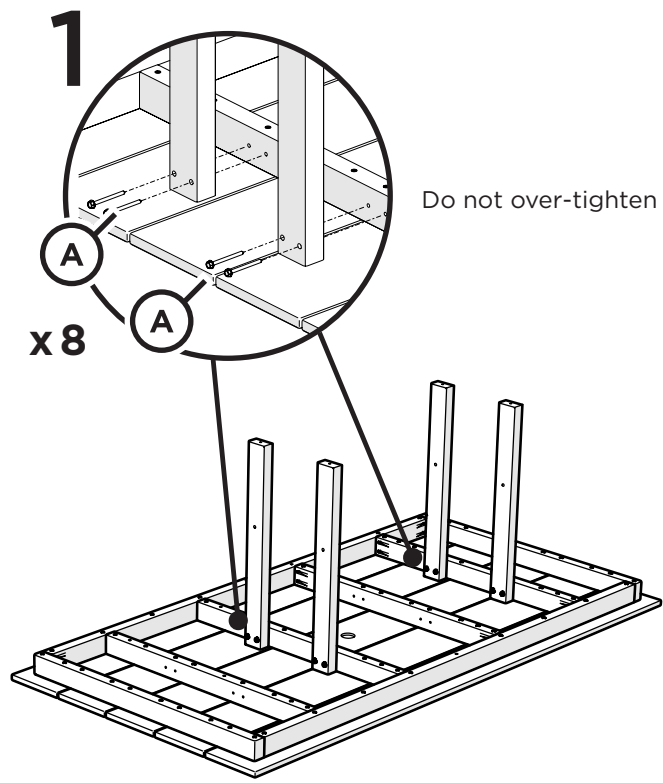
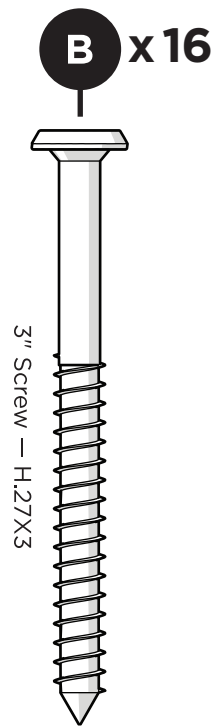
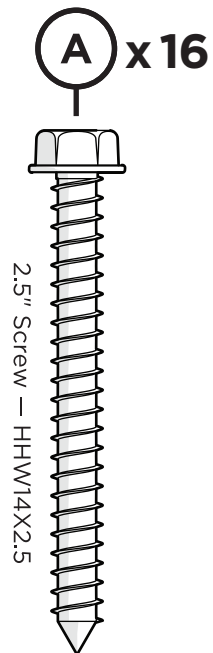
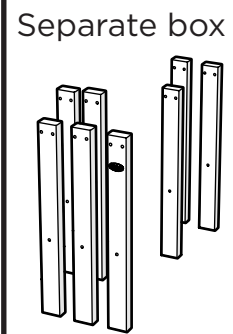
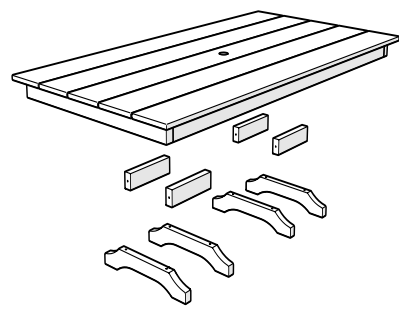
- » 1/3 bleach and 2/3 water solution
- » clean cloth
- » soft bristle brush

Wipe on solution with your cloth  
and let it sit on the lumber for a few  
minutes (this will not affect the color).  
Then, loosen any dirt and debris that  
may catch in surface grooves with a  
soft bristle brush; hose down to rinse.

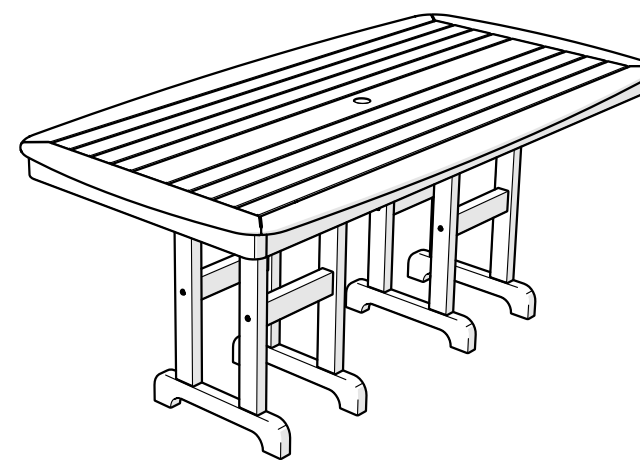
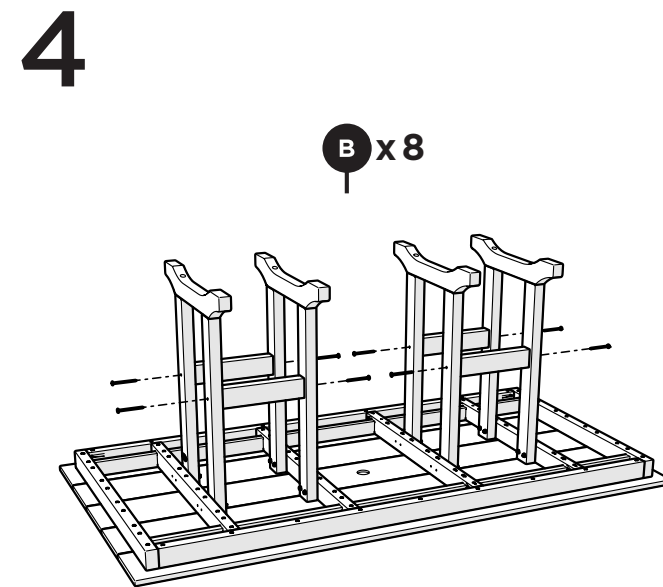
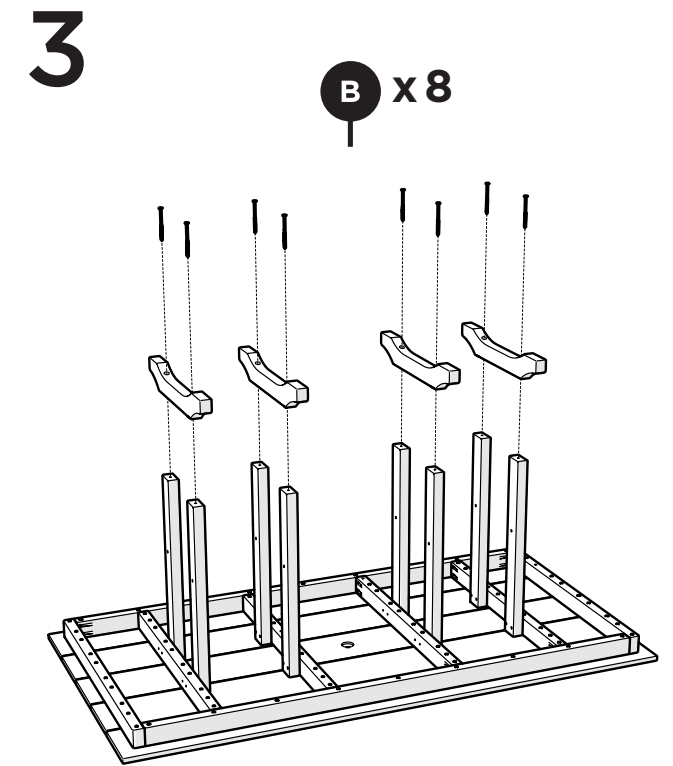
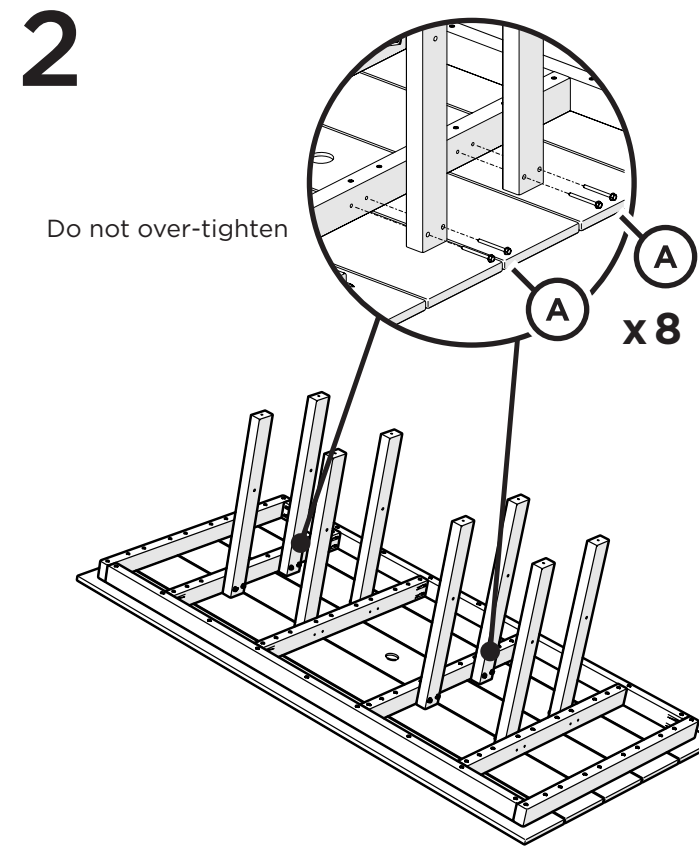
# TOOLS



# PARTS



FDT3772 shown for parts and assembly



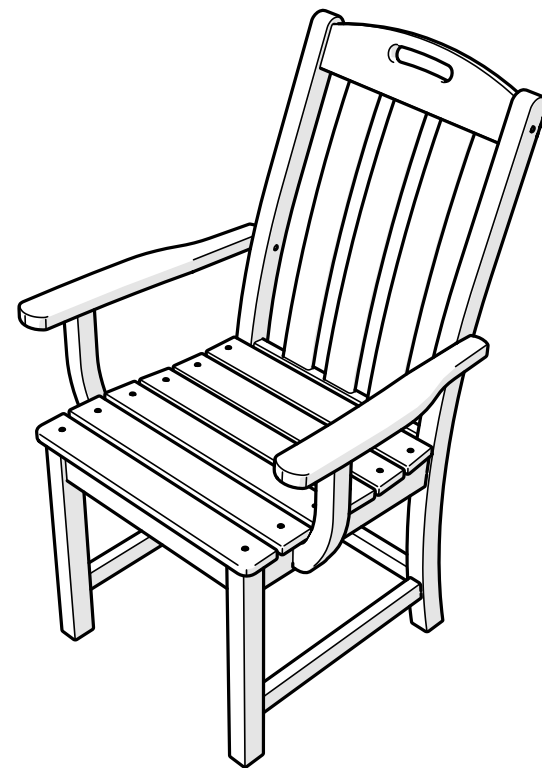
TXNCT3772



TXFDT3772



## Assembly Instructions



### **TXD230, TXD231, TXD232** Yacht Club Arm Chair

#### ..... **20-Year Warranty** .....

To view our full warranty, please visit  
[trexfurniture.com/warranty](http://trexfurniture.com/warranty)

#### ..... **Share your space** .....

We love to see where our furniture  
ends up — snap a pic and share  
it with us on Facebook!  
[facebook.com/trexfurniture](https://www.facebook.com/trexfurniture)

#### ..... **Having Trouble?** .....

If you have questions or concerns regarding  
assembly instructions or missing parts,  
please contact us at **(877) 907-TREX (8739)**  
or email [support@trexfurniture.com](mailto:support@trexfurniture.com)

#### ..... **Cleaning Tips** .....

Keep your Trex Outdoor Furniture™  
looking brand new:

##### **For a quick clean:**

Simply wipe down with soap and water.

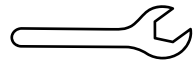
##### **For a deeper clean:**

You'll need:

- » 1/3 bleach and 2/3 water solution
- » clean cloth
- » soft bristle brush

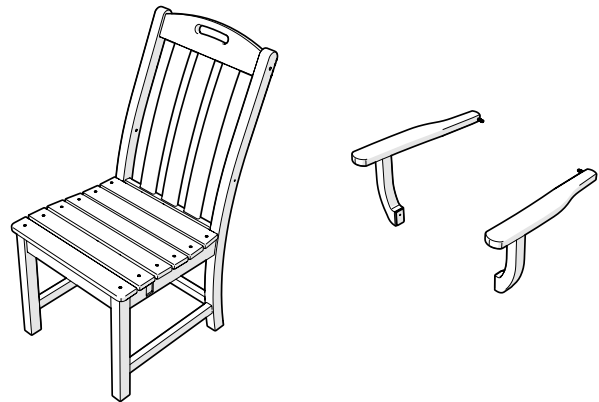
Wipe on solution with your cloth  
and let it sit on the lumber for a few  
minutes (this will not affect the color).  
Then, loosen any dirt and debris that  
may catch in surface grooves with a  
soft bristle brush; hose down to rinse.

# TOOLS

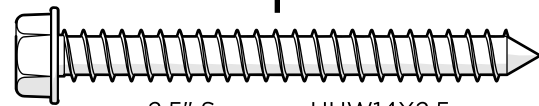


3/8" wrench  
(not included)

# PARTS

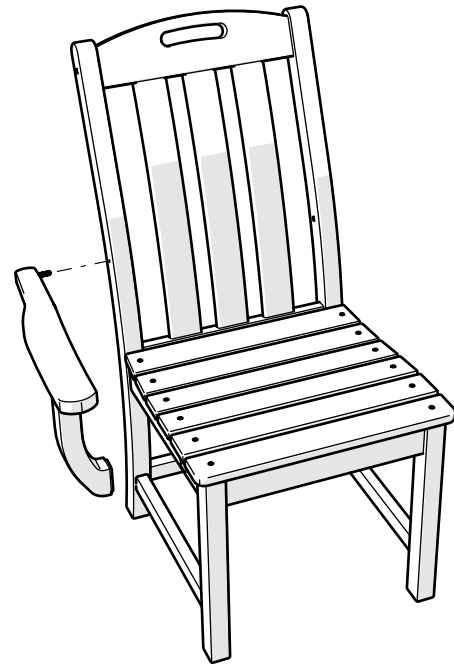


**A** x2

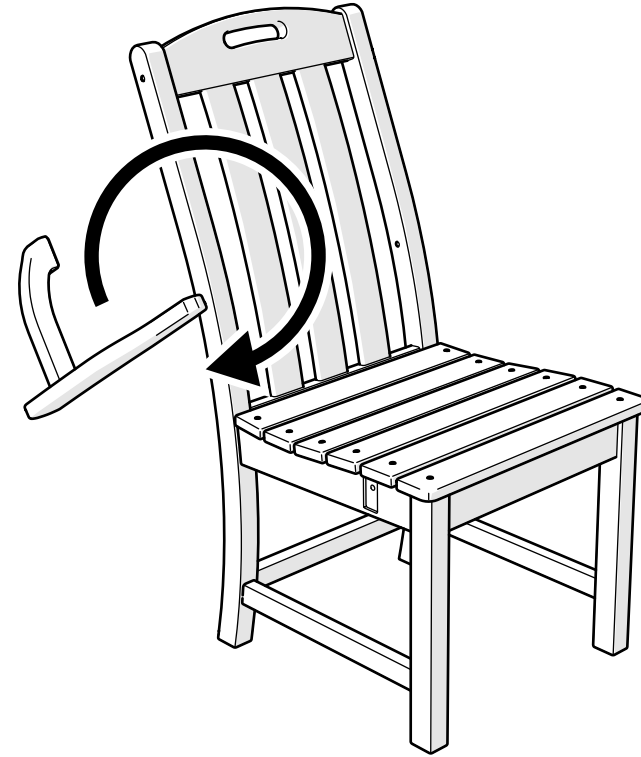


2.5" Screw — HHW14X2.5

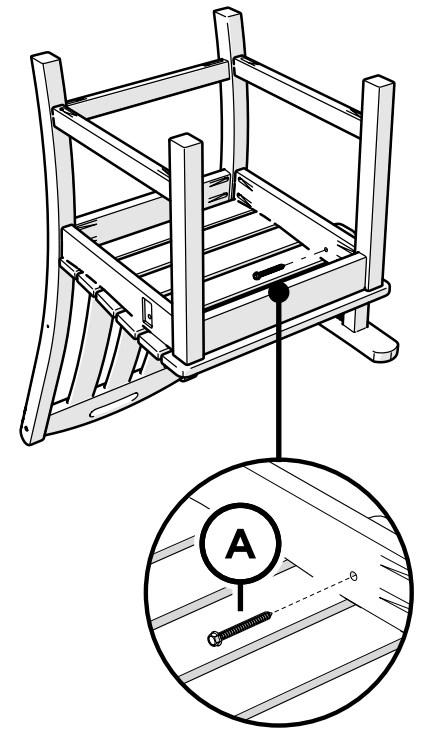
**1**



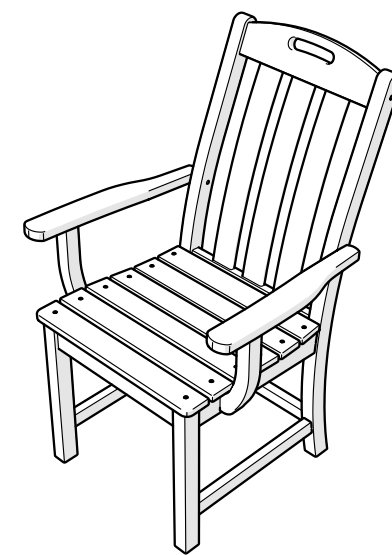
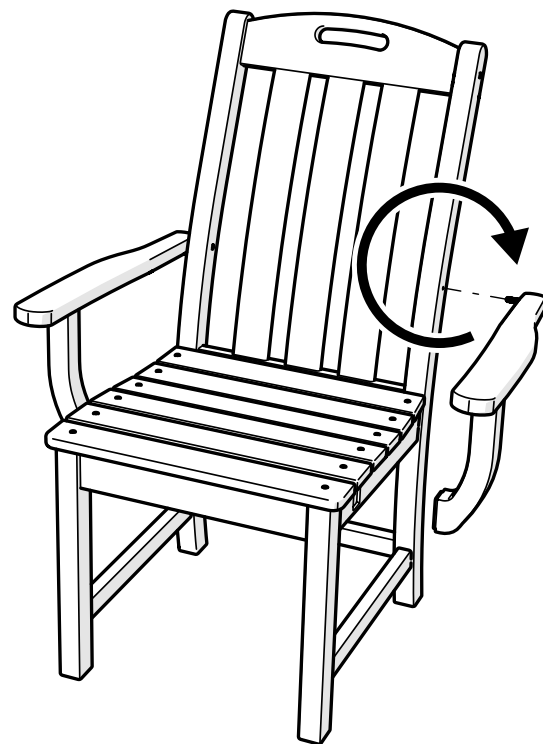
**2**



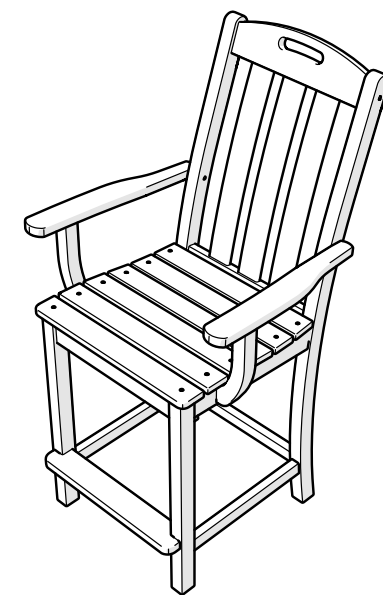
**3**



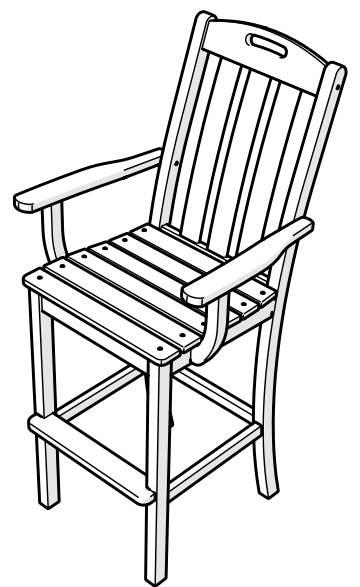
**4**



TXD230



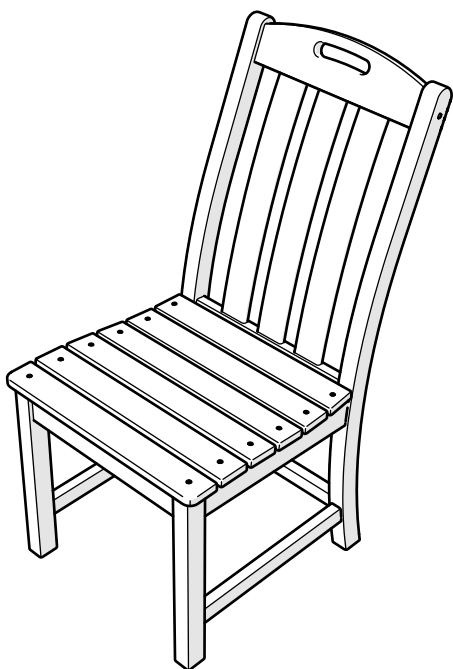
TXD231



TXD232



## Assembly Instructions



**NO ASSEMBLY REQUIRED**

# TXD130

## Yacht Club Dining Side Chair

[trexfurniture.com](http://trexfurniture.com)

12/14/2018

### ..... **20-Year Warranty** .....

To view our full warranty, please visit  
[trexfurniture.com/warranty](http://trexfurniture.com/warranty)

### ..... **Having Trouble?** .....

If you have questions or concerns regarding assembly instructions or missing parts, please contact us at **(877) 907-TREX (8739)** or email [support@trexfurniture.com](mailto:support@trexfurniture.com)

### ..... **Share your space** .....

We love to see where our furniture ends up — snap a pic and share it with us on Facebook!  
[facebook.com/trexfurniture](https://facebook.com/trexfurniture)

### ..... **Cleaning Tips** .....

Keep your Trex Outdoor Furniture looking brand new:

#### For a quick clean:

Simply wipe down with soap and water.

#### For a deeper clean:

You'll need:

- » 1/3 bleach and 2/3 water solution
- » clean cloth
- » soft bristle brush

Wipe on solution with your cloth and let it sit on the lumber for a few minutes (this will not affect the color). Then, loosen any dirt and debris that may catch in surface grooves with a soft bristle brush; hose down to rinse.