



Assembly Instructions  
**TXLB48 Leg Kit**



**TXRBT248**  
Monterey Bay  
Round 48"  
Bar Table

..... **20-Year Warranty** .....

To view our full warranty, please visit  
[trexfurniture.com/warranty](http://trexfurniture.com/warranty)

..... **Share your space** .....

We love to see where our furniture  
ends up — snap a pic and share  
it with us on Facebook!  
[facebook.com/trexfurniture](https://facebook.com/trexfurniture)

..... **Having Trouble?** .....

If you have questions or concerns regarding  
assembly instructions or missing parts,  
please contact us at **(877) 907-TREX (8739)**  
or email [support@trexfurniture.com](mailto:support@trexfurniture.com)

..... **Cleaning Tips** .....

Keep your Trex Outdoor Furniture™  
looking brand new:

**For a quick clean:**

Simply wipe down with soap and water.

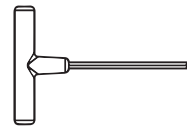
**For a deeper clean:**

You'll need:

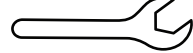
- » 1/3 bleach and 2/3 water solution
- » clean cloth
- » soft bristle brush

Wipe on solution with your cloth  
and let it sit on the lumber for a few  
minutes (this will not affect the color).  
Then, loosen any dirt and debris that  
may catch in surface grooves with a  
soft bristle brush; hose down to rinse.

# TOOLS

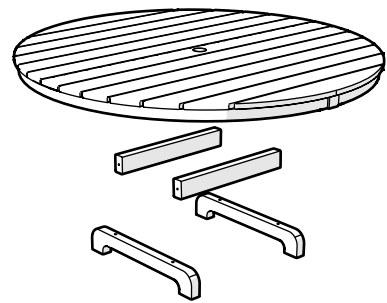


4mm T-handle hex key (included)

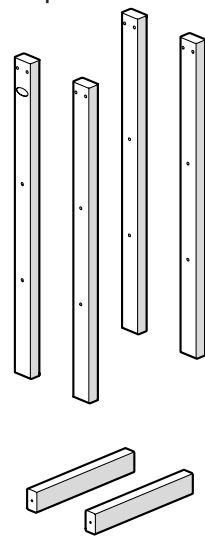


3/8" wrench (not included)

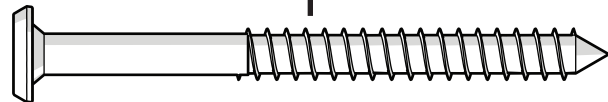
# PARTS



Separate box

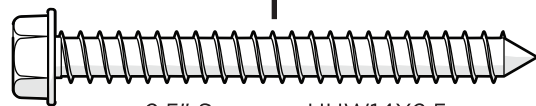


**A** x12



3" Screw — H.27X3

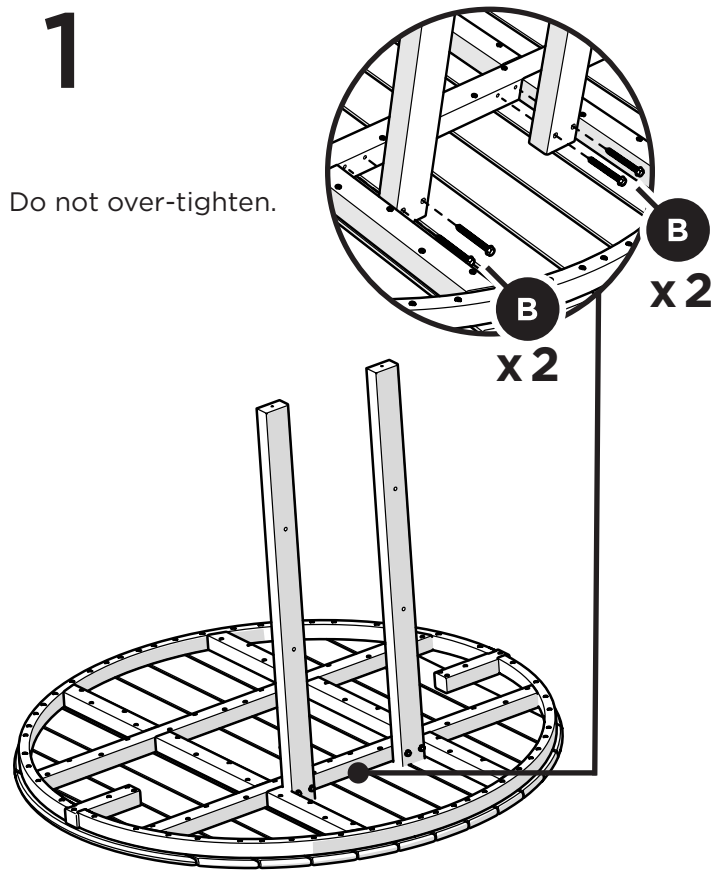
**B** x8



2.5" Screw — HHW14X2.5

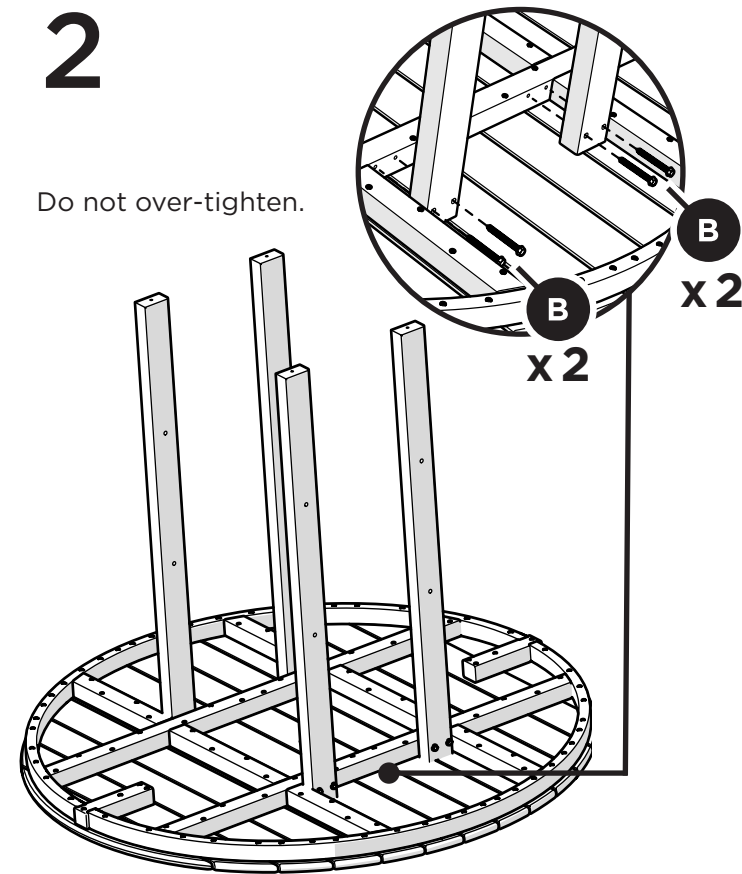
1

Do not over-tighten.



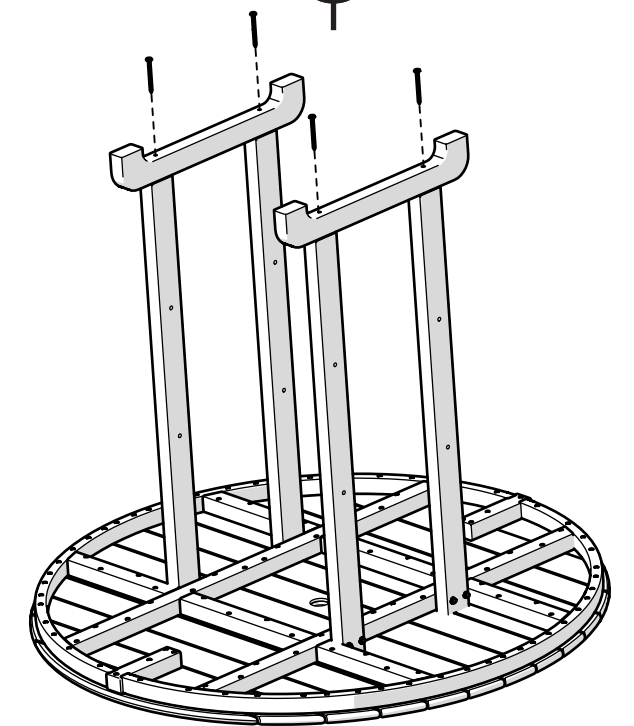
2

Do not over-tighten.



3

**A** x4



4

Removable table plug included.

**A** x8

