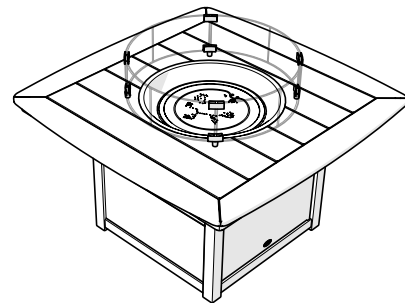
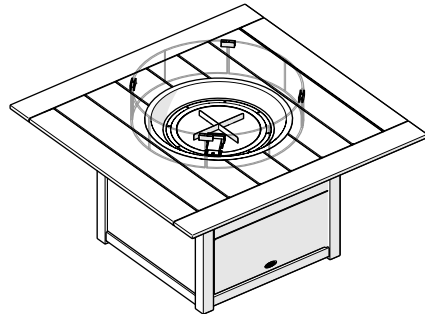




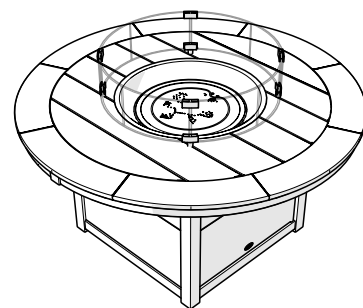
## Assembly Instructions



TXCTF42N



TXCTF42S



TXCTF48R

**TXCTF42N,  
TXCTF42S,  
TXCTF48R**

### ..... **20-Year Warranty** .....

To view our full warranty, please visit  
[trexfurniture.com/warranty](http://trexfurniture.com/warranty)

### ..... **Share your space** .....

We love to see where our furniture  
ends up — snap a pic and share  
it with us on Facebook!  
[facebook.com/trexfurniture](https://facebook.com/trexfurniture)

### ..... **Having Trouble?** .....

If you have questions or concerns regarding  
assembly instructions or missing parts,  
please contact us at **(877) 907-TREX (8739)**  
or email [support@trexfurniture.com](mailto:support@trexfurniture.com)

### ..... **Cleaning Tips** .....

Keep your Trex Outdoor Furniture™  
looking brand new:

#### **For a quick clean:**

Simply wipe down with soap and water.

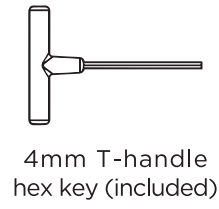
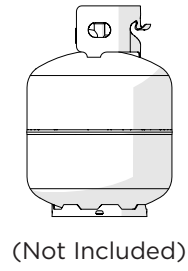
#### **For a deeper clean:**

You'll need:

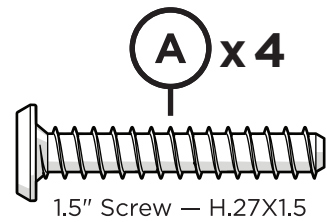
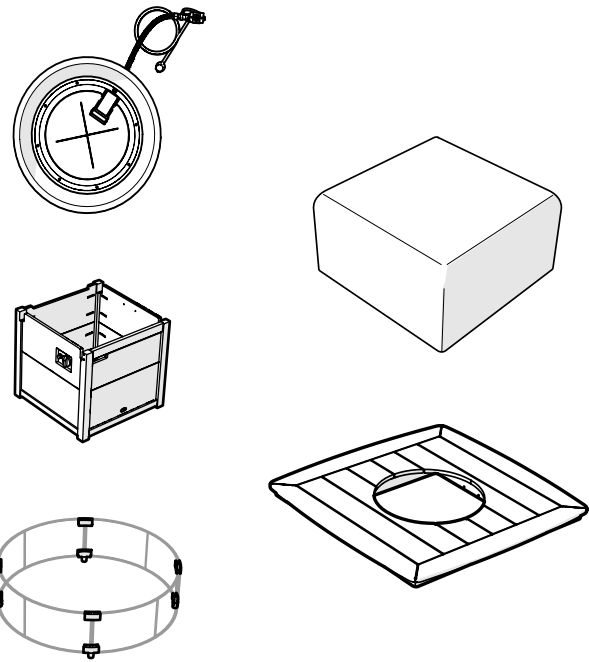
- » 1/3 bleach and 2/3 water solution
- » clean cloth
- » soft bristle brush

Wipe on solution with your cloth  
and let it sit on the lumber for a few  
minutes (this will not affect the color).  
Then, loosen any dirt and debris that  
may catch in surface grooves with a  
soft bristle brush; hose down to rinse.

## TOOLS

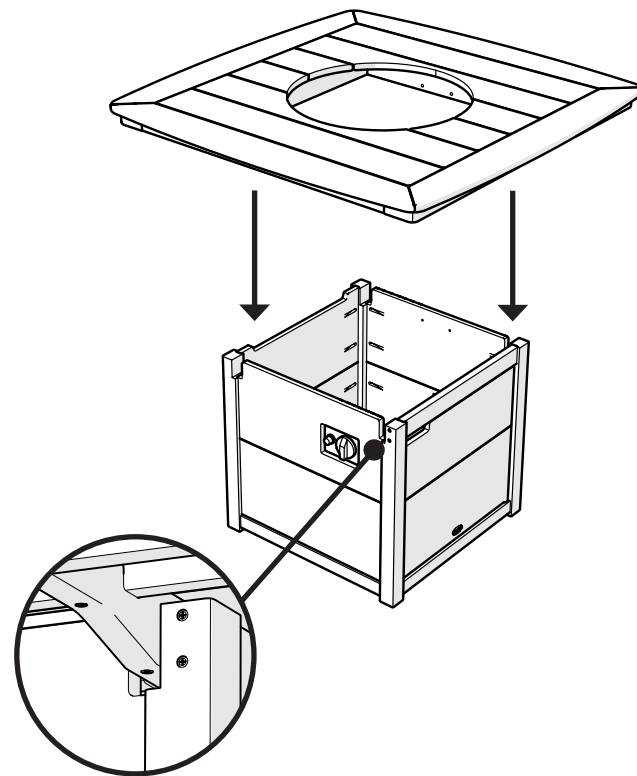


## PARTS

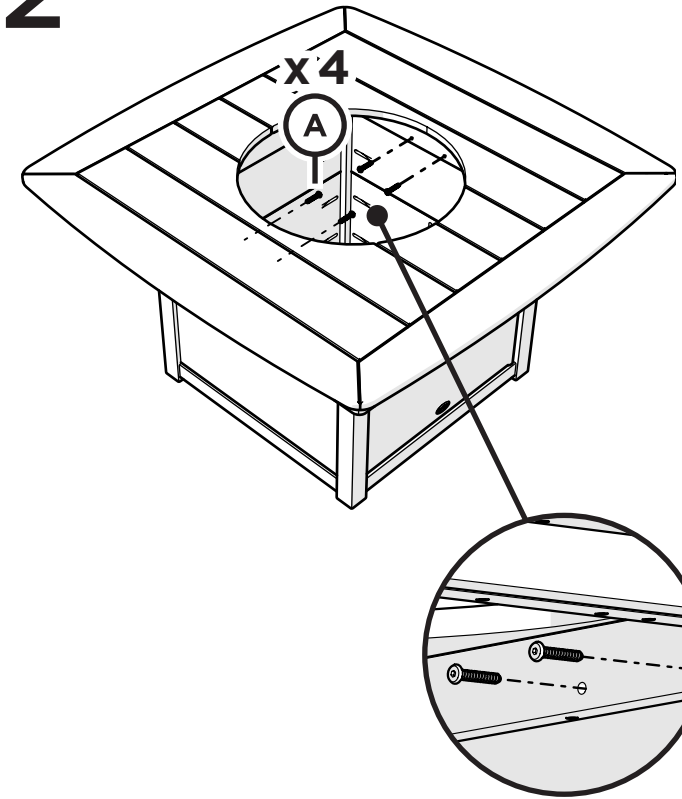


1

**Note:** Line up top  
screw holes with  
base screw holes

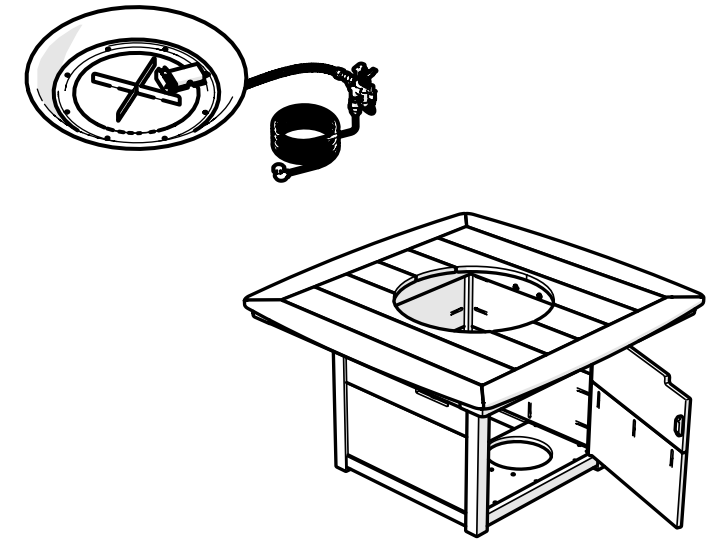


2

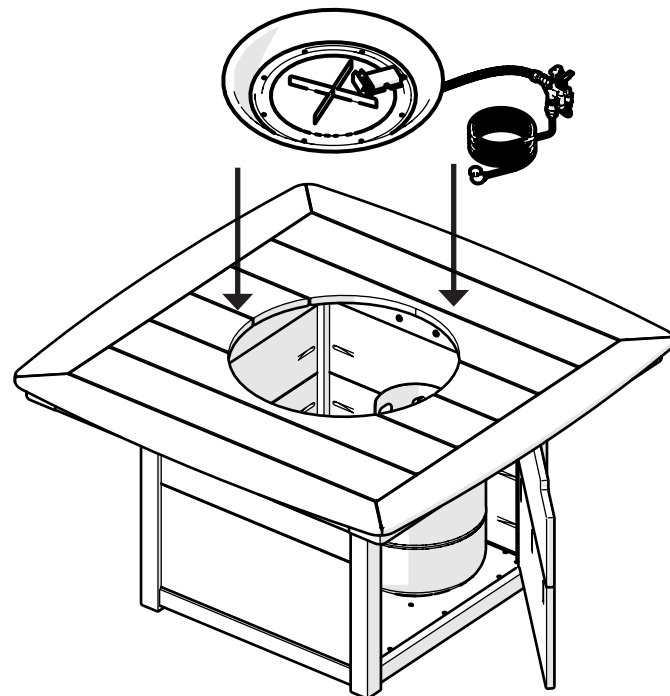


3

See Crystal Fire Plus manual  
for burner installation



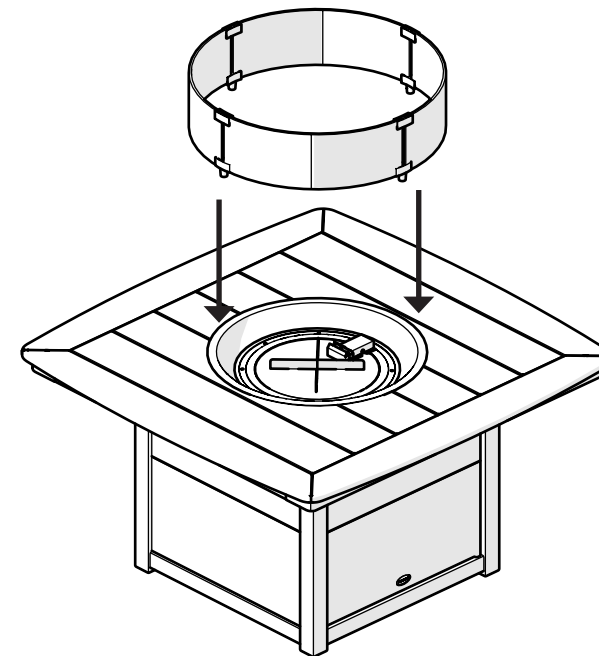
4



5

See Glass Guard-20-R manual  
for assembly instructions

**Important!**  
Glass Guard Required



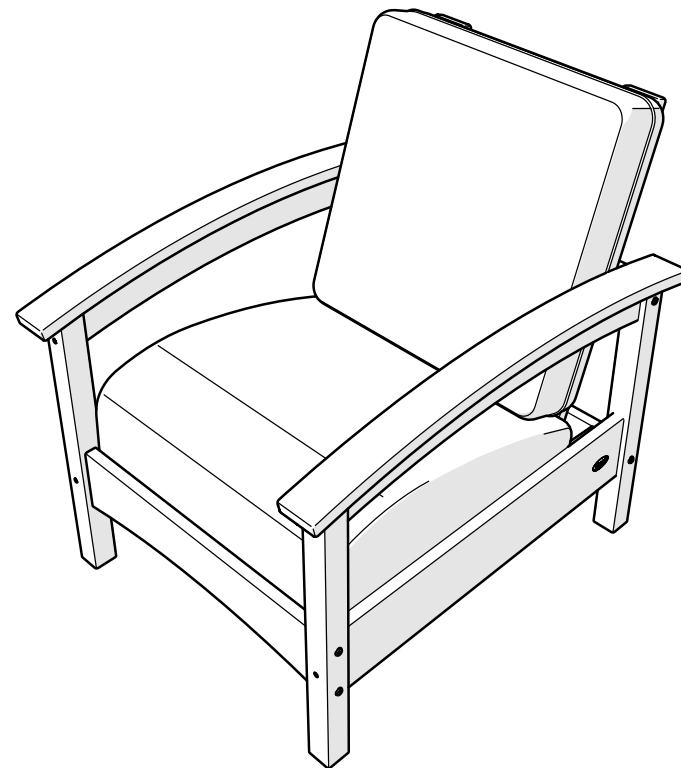
Protect with included cover when not  
in use. Before covering, allow sufficient  
time for the unit to cool after use.



When turning off the gas, wait until  
bowl has cooled down and tilt propane  
tank forward.



## Assembly Instructions



# TXC23

## Rockport Club Chair

### ..... 20-Year Warranty .....

To view our full warranty, please visit  
[trexfurniture.com/warranty](http://trexfurniture.com/warranty)

### ..... Share your space .....

We love to see where our furniture ends up — snap a pic and share it with us on Facebook!  
[facebook.com/trexfurniture](https://www.facebook.com/trexfurniture)

### ..... Having Trouble? .....

If you have questions or concerns regarding assembly instructions or missing parts, please contact us at **(877) 907-TREX (8739)** or email [support@trexfurniture.com](mailto:support@trexfurniture.com)

### ..... Cleaning Tips .....

Keep your Trex Outdoor Furniture™ looking brand new:

#### **For a quick clean:**

Simply wipe down with soap and water.

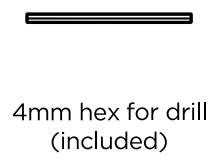
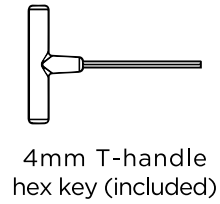
#### **For a deeper clean:**

You'll need:

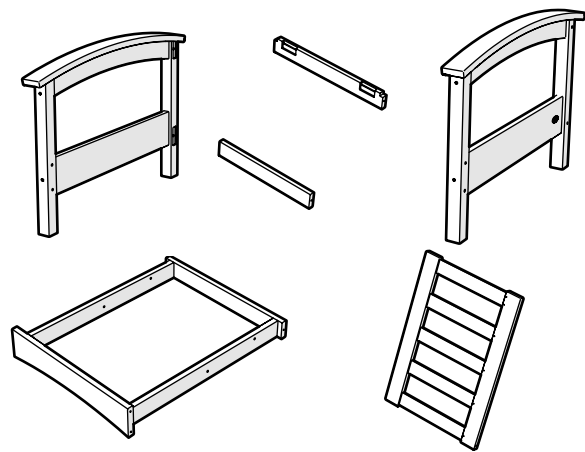
- » 1/3 bleach and 2/3 water solution
- » clean cloth
- » soft bristle brush

Wipe on solution with your cloth and let it sit on the lumber for a few minutes (this will not affect the color). Then, loosen any dirt and debris that may catch in surface grooves with a soft bristle brush; hose down to rinse.

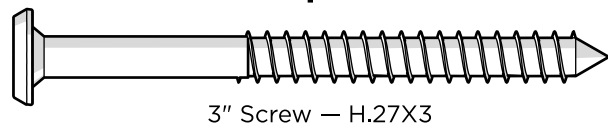
# TOOLS



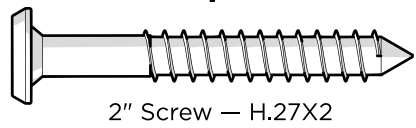
# PARTS



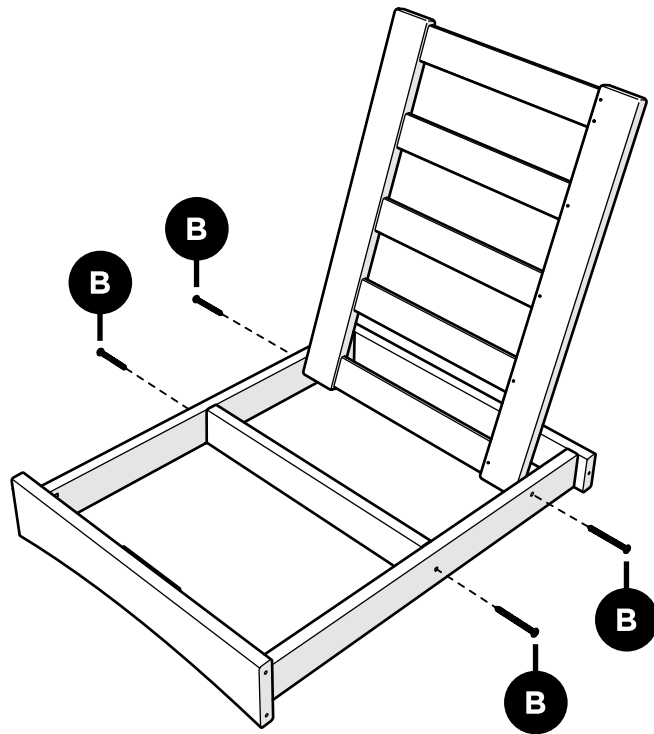
**A** x 8



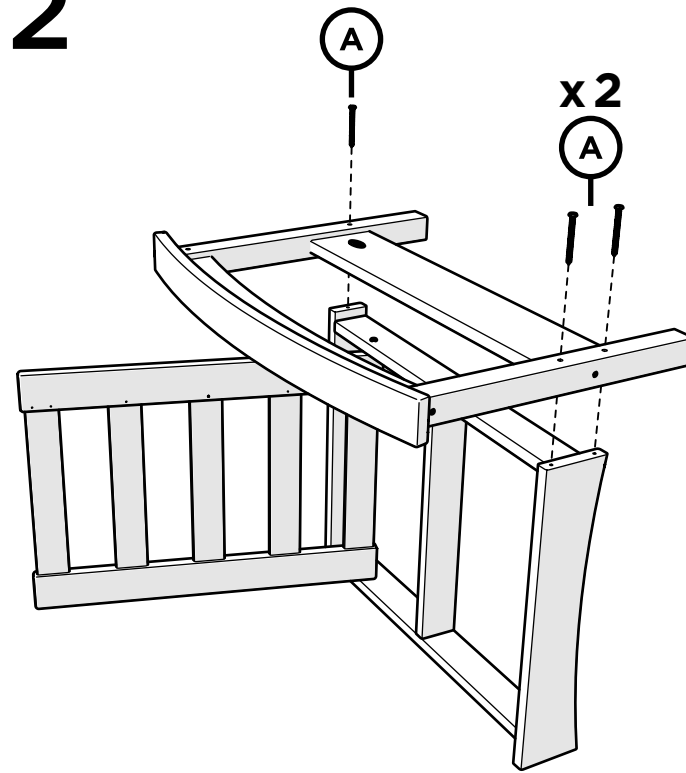
**B** x 4



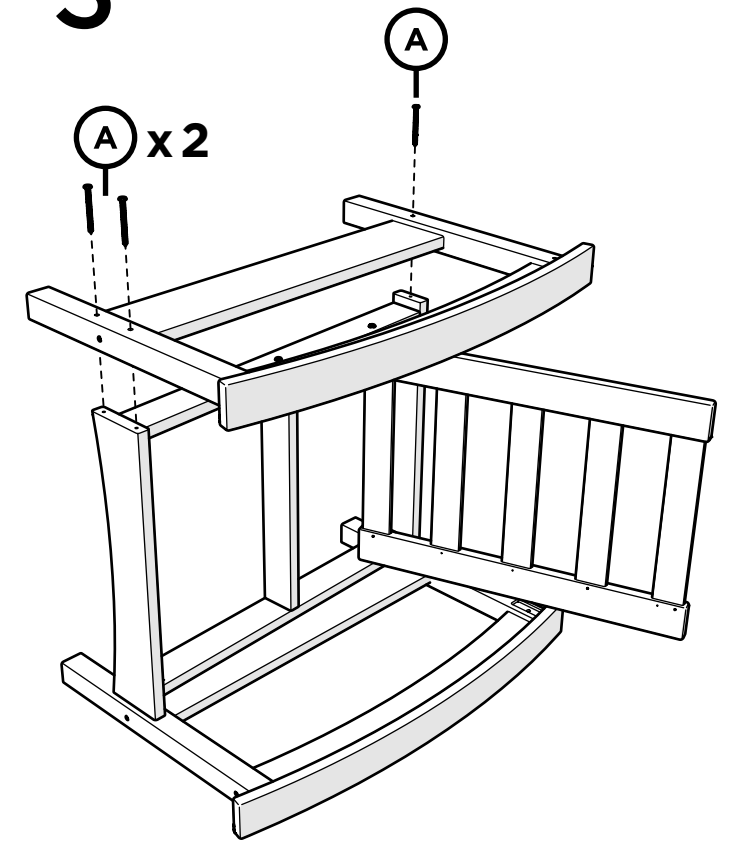
**1**



**2**



**3**



**4**

