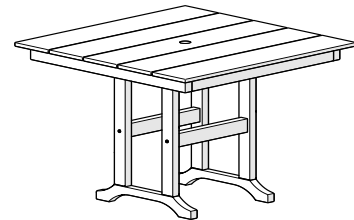




Assembly Instructions

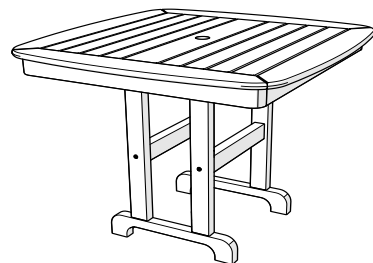


TXFDT37
Monterey Bay 37"
Dining Table



TXRT236
Monterey Bay
Round 36"
Counter Table

TXRT248
Monterey Bay
Round 48"
Counter Table



TXNCT37
Yacht Club 37"
Dining Table

TXNCT44
Yacht Club 44"
Dining Table

..... 20-Year Warranty

To view our full warranty, please visit
trexfurniture.com/warranty

..... Share your space

We love to see where our furniture
ends up — snap a pic and share
it with us on Facebook!
facebook.com/trexfurniture

..... Having Trouble?

If you have questions or concerns regarding
assembly instructions or missing parts,
please contact us at **(877) 907-TREX (8739)**
or email support@trexfurniture.com

..... Cleaning Tips

Keep your Trex Outdoor Furniture™
looking brand new:

For a quick clean:

Simply wipe down with soap and water.

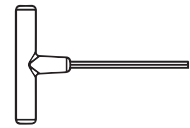
For a deeper clean:

You'll need:

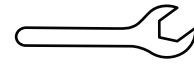
- » 1/3 bleach and 2/3 water solution
- » clean cloth
- » soft bristle brush

Wipe on solution with your cloth
and let it sit on the lumber for a few
minutes (this will not affect the color).
Then, loosen any dirt and debris that
may catch in surface grooves with a
soft bristle brush; hose down to rinse.

TOOLS

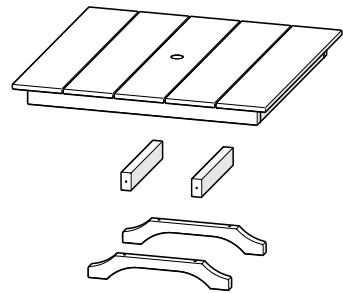


4mm T-handle
hex key (included)

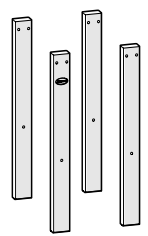


3/8" wrench
(not included)

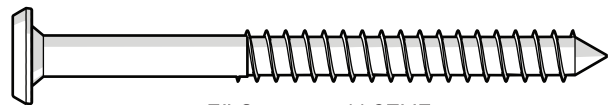
PARTS



Separate box

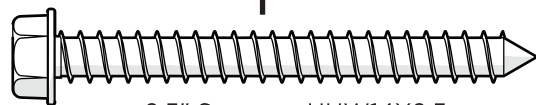


A x 8



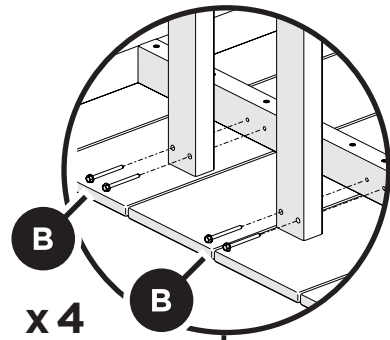
3" Screw — H.27X3

B x 8



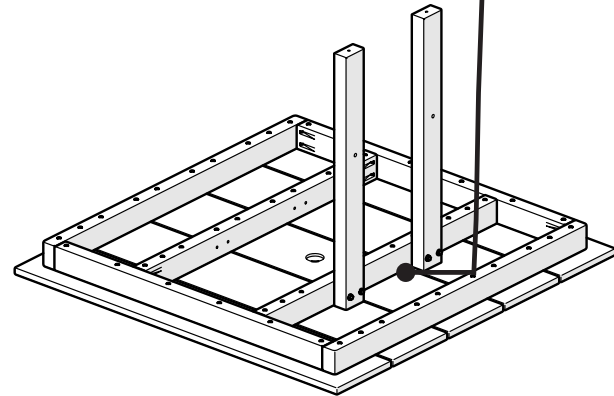
2.5" Screw — HHW14X2.5

1



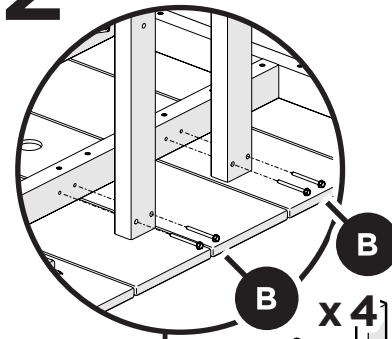
B x 4

Do not over-tighten



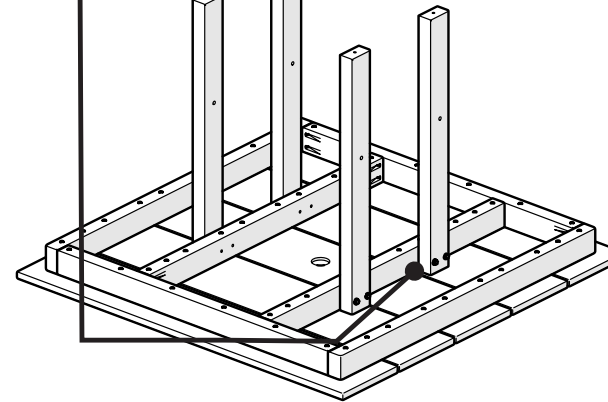
FDT37 shown for parts and assembly

2



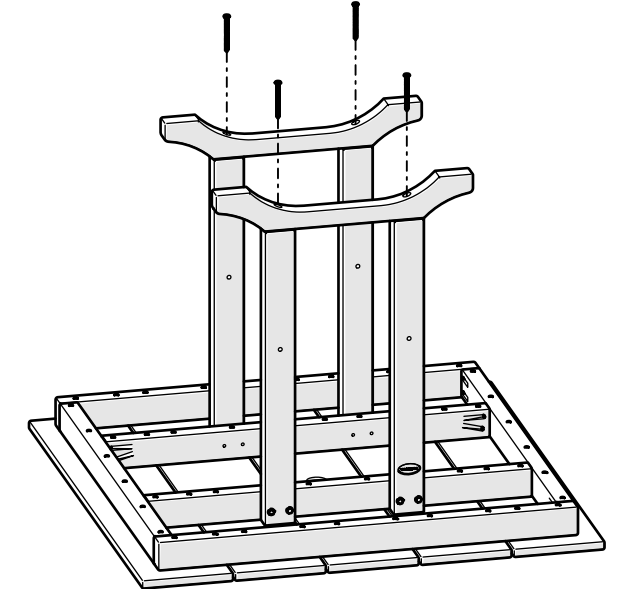
B x 4

Do not over-tighten



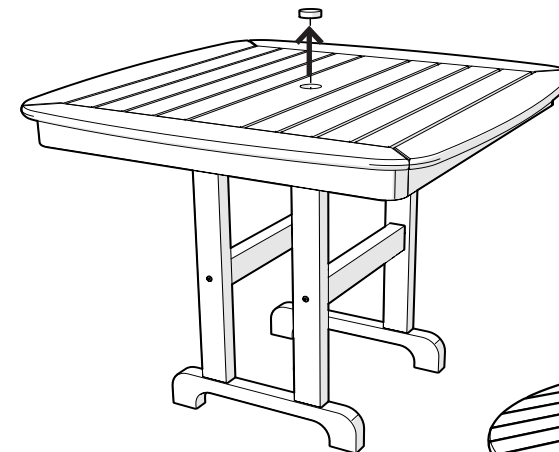
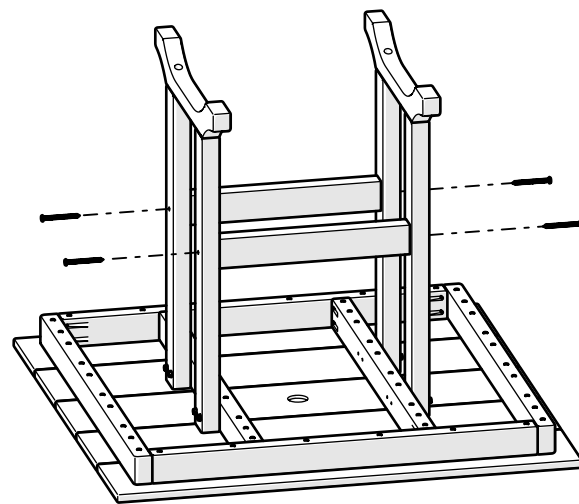
3

A x 4

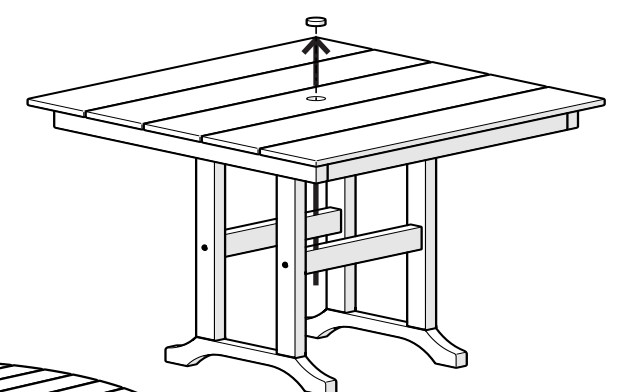


4

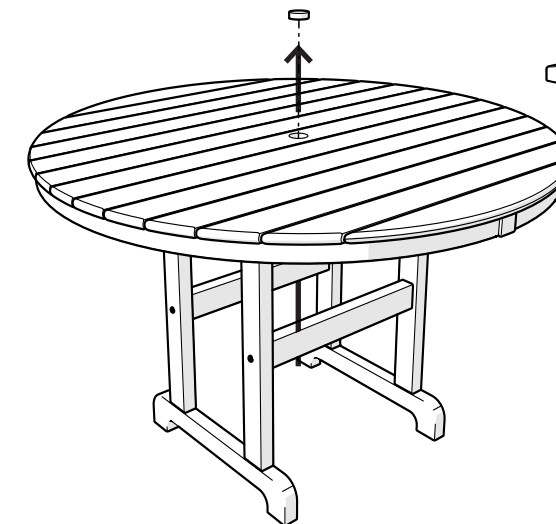
A x 4



TXNCT37, TXNCT44



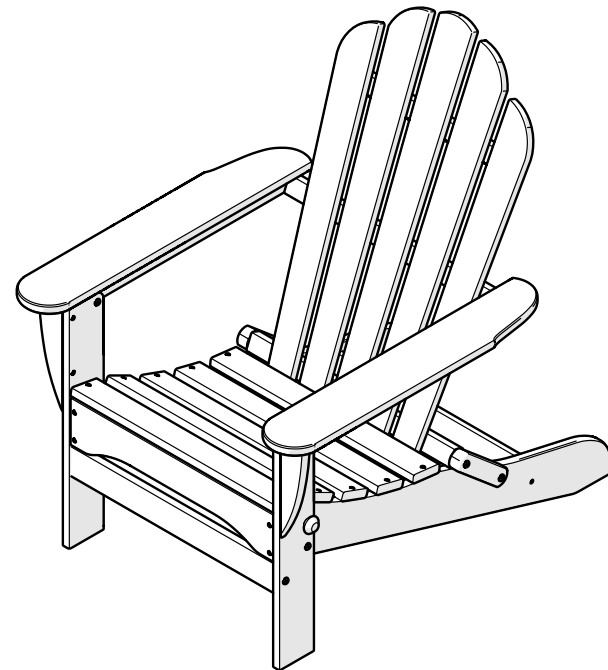
TXFDT37



TXRT236, TXRT248



Assembly Instructions



TXAD5034

Monterey Bay Folding Adirondack Chair

..... 20-Year Warranty

To view our full warranty, please visit
trexfurniture.com/warranty

..... Share your space

We love to see where our furniture
ends up — snap a pic and share
it with us on Facebook!
facebook.com/trexfurniture

..... Having Trouble?

If you have questions or concerns regarding
assembly instructions or missing parts,
please contact us at **(877) 907-TREX (8739)**
or email support@trexfurniture.com

..... Cleaning Tips

Keep your Trex Outdoor Furniture™
looking brand new:

For a quick clean:

Simply wipe down with soap and water.

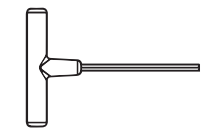
For a deeper clean:

You'll need:

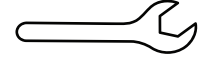
- » 1/3 bleach and 2/3 water solution
- » clean cloth
- » soft bristle brush

Wipe on solution with your cloth
and let it sit on the lumber for a few
minutes (this will not affect the color).
Then, loosen any dirt and debris that
may catch in surface grooves with a
soft bristle brush; hose down to rinse.

TOOLS

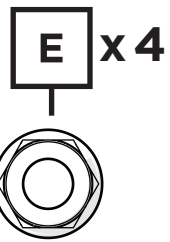
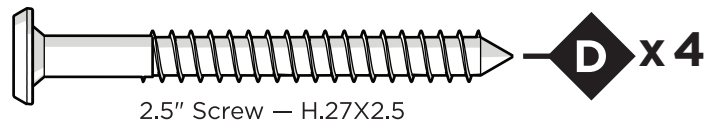
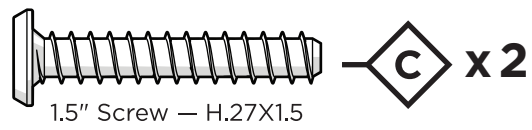
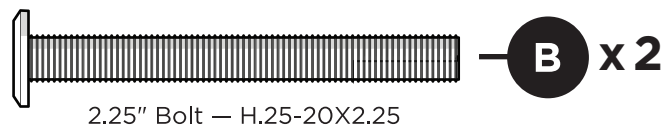
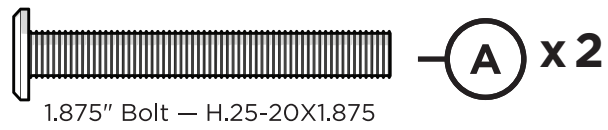
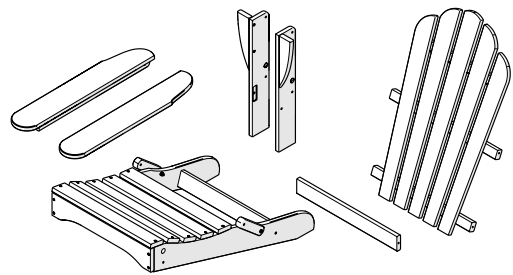


4mm T-handle hex key (included)

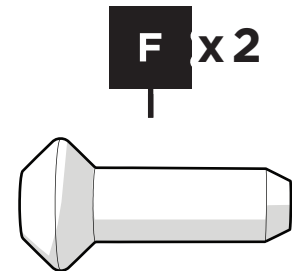


7/16" wrench (not included)

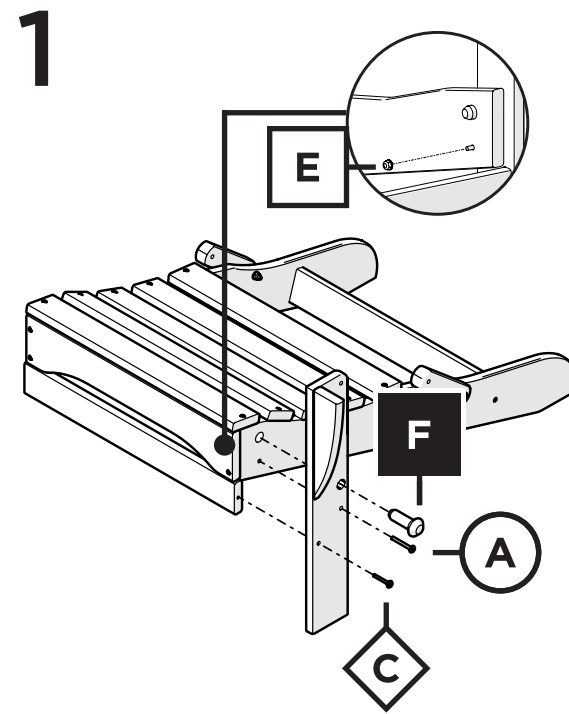
PARTS



Flange Nylon Lock Nut
HN.25-20FN



Adirondack Pin - HDPE



Bolts may need to be tapped into the holes if they are a little snug.

